

Technical Data Sheet



CK186 TCU CONTROL KIT

Electric/Pneumatic Controls

The manual switch block of the CK186 combines all the necessary functions to operate a single tipper or a truck and trailer tipper in a neat switch bank. Including PTO, hoists, tailgate locks and dolly lock.

With lockable rocker switches mounted on a swivelling bracket, the CK186 system provides an easy and neat installation.

Product Features

- **Colour coded wiring**
Makes installation easier, therefore saving money.
- **1 or 2 cables from valve to switchbox**
Providing a simple neat installation.
- **Pre packaged system kit**
Everything provided for installation.
- **Versatile**
Can be used with multiple valve arrangements.
- **IP6K9K rating**
Ensuring operation in all conditions.

POWAUTO

DAVID BROWN
HYDRAULICS

HYDRECO®

HYDRECO
POWAUTO
ADVANCED HYDRAULIC TECHNOLOGIES



www.hydreco.com

Technical Data Sheet

Solenoid Direct Operated Poppet Valve - Normally Closed	
Operating Pressure	5-10 bar (72 to 145 psi)
Orifice	2.1mm
Power Consumption	8.7W (12V @ 0.73A - 24V @ 0.36A)
Protection Class	IP6K9K
Connector	2 Terminal Tyco HDSCS
Operating Temperature	-40 to 85°C Air must be dry to avoid ice formation at temperatures below 2°C
Valve Body	PA glass filled
Internal Parts	Stainless Steel
Seals	HNBR

CONTROL KIT DESIGNATION CODES

TCU Series CK186

CK 186 - 8 - 24

Identifier

CK = Control Kit

Kit Series

186

Solenoid Quantity

4

8

10

Other combinations available upon request

Voltage

12

24

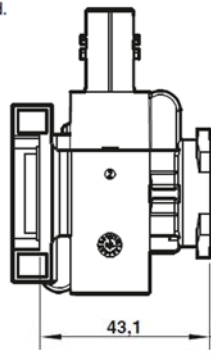
Possible Functions	
PTO	Latching
Tailgate Lock	Latching
Fifth Wheel Lock	Latching
Raise	Latching
Lower	Latching

Refer to installation instructions for a full list of functions

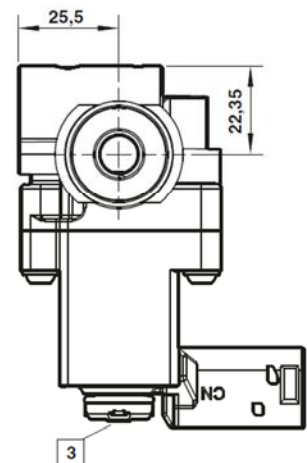
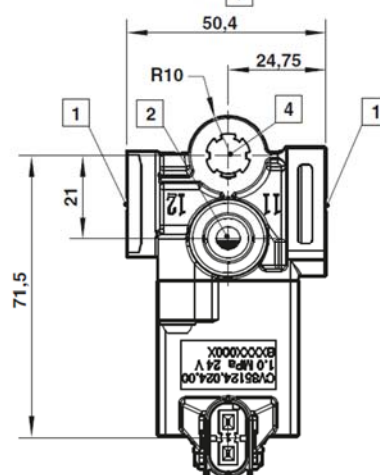
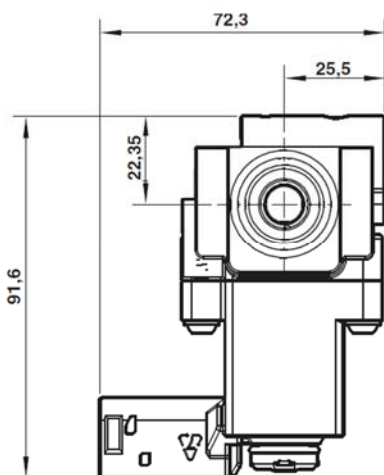
Note: Latching means the switch stays on until cancelled.



- 1 Inline port x 2
(use either inlet port + use blanking plug in other)
- 2 Outlet port
- 3 Exhaust port
- 4 Mounting hole
- 5 Stacked option pitch dimension



Note: The valves are rated to a maximum air pressure of 10 Bar. It is necessary to install a pressure regulator on vehicles with a higher pressure. Operating at higher than 10 Bar will void the warranty.



Doc: CK187—06/21

POWAUTO

DAVID BROWN
HYDRAULICS

HYDRECO®

HYDRECO
POWAUTO
ADVANCED HYDRAULIC TECHNOLOGIES



www.hydreco.com