

HPV1 SERIES

HYDRAULIC PILOT
CONTROL



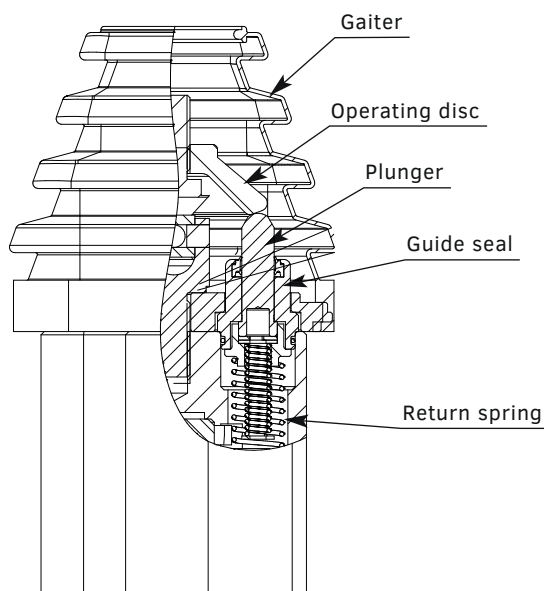
INTRODUCTION

HPV1 Pilot Control Valves are part of the extensive range of Hydreco Hydraulics products.

This product has a new design meant to provide a comfortable and fine control for mobile and industrial machines. The pilot valve, with its single lever dual axis control, is supported by an extensive range of characteristics, metering curves and handle option which make it suitable for a wide range of both mobile and industrial applications.

Our engineers can offer special support to optimise this product to suit your application.

PARTS



BENEFITS

- Compact and lightweight body
- Low effort control and smooth movements
- Rugged construction for long operating life
- Spare parts available upon request
- Suitable for armrest of control mounting
- Compatible with a wide range of products
- Low hysteresis, high accuracy, pressure control curves
- Wide range of electrical options in multi-functional ergonomic handles

APPLICATIONS

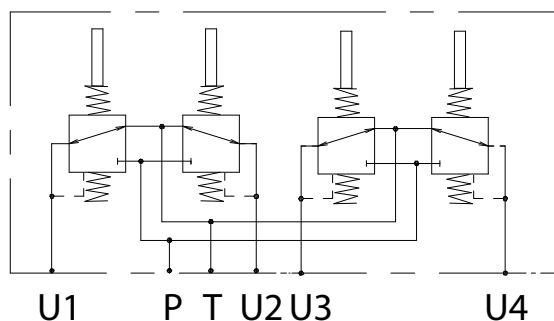
- Excavators and mini-excavators
- Cranes
- Forestry machines
- Access platforms
- Container handlers
- Tracked machines
- Skid steer loaders
- Forklift trucks

TECHNICAL FEATURES

MAXIMUM OPERATING PRESSURE	inlet (P port)	50 bar	725 psi
	back (T port)	3 bar	43.5 psi
CONTROL FLOW	range	5 to 15 l/min	1.3 to 4 gpm
MAXIMUM HYSTERESIS		±0.5 bar	± 7.3 psi
SERVICE PORTS		1/4" BSP	9/16" UNF

RANGE TEMPERATURES	ambient	-20 to +54 °C	-4 to +130 °F
	fluid	-20 to +82 °C	-4 to +180 °F
FLUID TYPE	mineral oils ISO, HM and HV		
FLUID CONTAMINATION	ISO 4406:1999 class 20/18/15		

HYDRAULIC SYMBOL (TYPICAL)



Hydreco Hydraulics reserves the right to update the information and data contained in this catalogue at any time without notice

HPV1- [] - [] - [] - **S-** [] [] [] - []

MODEL _____
 HPV Hydraulic Pilot Valve

SERIES _____

MODEL TYPE _____
C01 Return spring
C04 Frictioned on y axis, return spring on x axis

HANDLE STYLE _____
 (refer to HANDLE catalogue for complete handle options definition)

- W** Without handle
- SA** Straight handle without electric switch
- SD** Straight handle with electric switch
- SX** Straight handle with electric switch to close
- SS** Straight handle with electric switch to close and safety button
- SY** Straight handle with electric switch dual rocker type
- SZ2** Straight handle with 2 positions latched rocker
- SZ3** Straight handle with 3 positions latched rocker
- E** MFE handle series
- M** MFE2 handle series
- EX** EXM handle (multifunctional) series

Only for handle type E, M or EX:
 5-digit handle code defined by Hydreco

PORTS
 Omit for 1/4" BSP
S 9/16"-18 UNF SAE6

RETURN SPRING
0 Standard: 1.2 to 2.5 daN
1 Medium: 1.7 to 3.2 daN

SQUARE GAITER

METERING CURVES
 See 'curve ID' in tables at pages 4 and 5.

S* **E** **M** **EX**

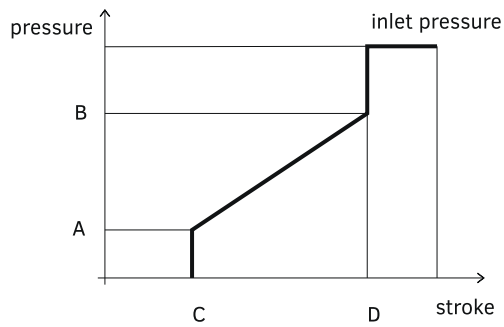


CODE EXAMPLE:

HPV1-C01-E015-S-0-11163
 Hydraulic pilot valve series 2, return spring configuration, MFE handle, metering curve with step 015, square gaiter, standard return spring, MFE handle n. 11163:

METERING CURVES - WITH STEP

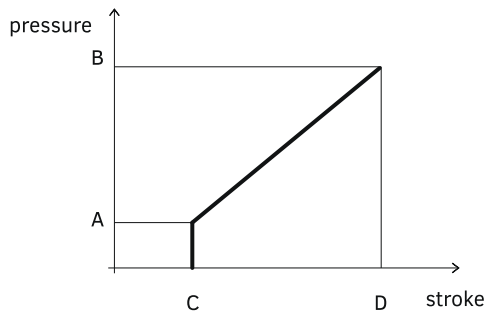
Tolerance on pressure settings ± 0.5 bar (7.25 psi). Other metering curves are available upon request.



PRESSURE (bar psi)		STROKE (mm in)		CURVE ID
A	B	C	D	
1.0 14.5	12.0 174.0	1.0 0.04	8.5 0.33	034
2.0 29.0	11.5 166.8	1.0 0.04	8.5 0.33	012
2.0 29.0	20.5 297.3	1.0 0.04	8.5 0.33	077
2.0 29.0	14.2 206.0	1.0 0.04	8.5 0.33	163
3.2 46.4	17.2 249.5	1.0 0.04	8.5 0.33	062
3.4 49.3	29.4 426.4	1.0 0.04	8.5 0.33	030
4.3 62.4	15.2 220.5	1.0 0.04	8.5 0.33	049
4.9 71.1	18.9 274.1	1.0 0.04	8.5 0.33	018
4.9 71.1	17.5 253.8	2.0 0.08	8.5 0.33	202
5.0 72.5	14.5 210.3	1.0 0.04	8.5 0.33	019
5.0 72.5	15.9 230.6	1.0 0.04	8.5 0.33	026
5.8 84.1	22.0 319.1	1.8 0.07	8.5 0.33	015
7.2 104.4	16.7 242.2	1.0 0.04	8.5 0.33	199
7.6 110.2	21.7 314.7	1.0 0.04	8.5 0.33	198
8.0 110.0	23.0 333.6	1.0 0.04	8.5 0.33	173

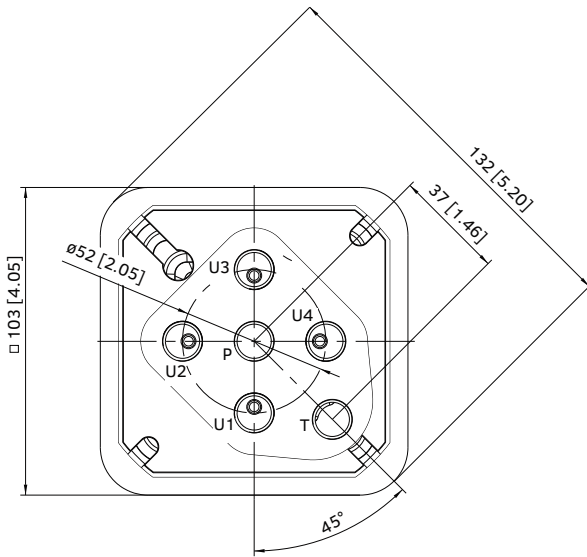
METERING CURVES - WITHOUT STEP

Tolerance on pressure settings ± 0.5 bar (7.25 psi). Other metering curves are available upon request.

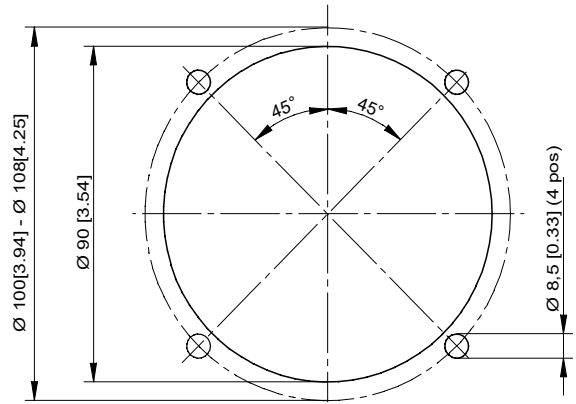


PRESSURE (bar psi)		STROKE (mm in)		CURVE ID
A	B	C	D	
3.8 55.1	23.7 343.7	1.0 0.04	9.0 0.35	074
4.0 58.0	8.0 116.0	1.0 0.04	9.0 0.35	054
4.4 63.8	21.6 313.3	1.0 0.04	9.0 0.35	126
5.0 72.5	18.0 261.1	2.0 0.08	9.0 0.35	079
5.0 72.5	19.87 288.2	1.0 0.04	9.0 0.35	094
5.7 82.7	18.7 271.2	1.0 0.04	9.0 0.35	055
8.3 120.4	22.5 326.3	1.0 0.04	9.0 0.35	059

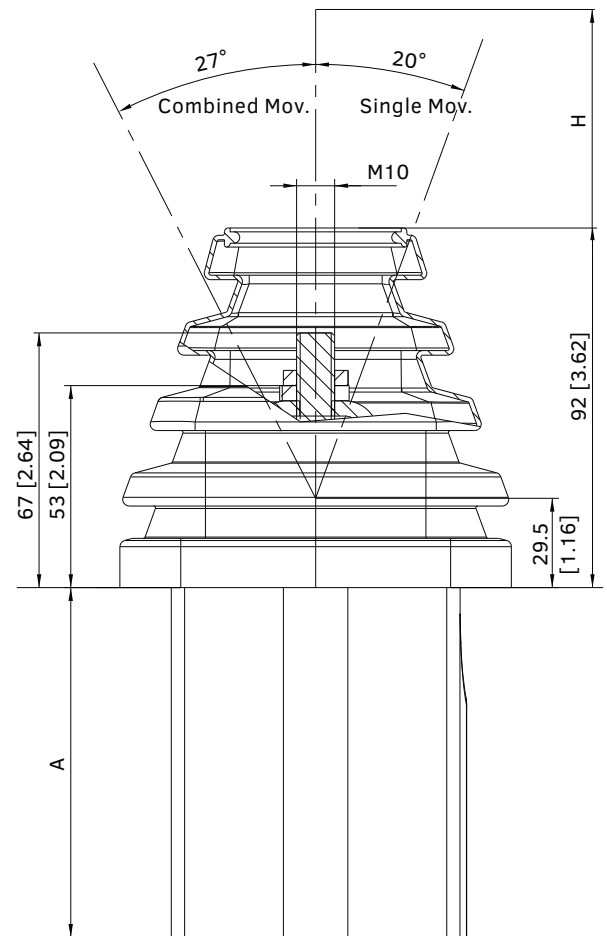
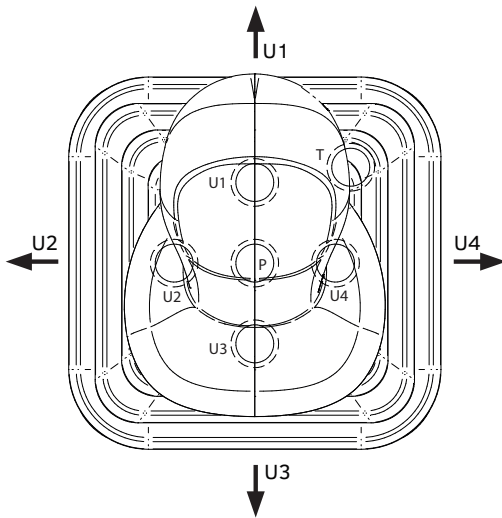
INSTALLATION AND DIMENSIONS mm[in]



FOOTPRINT



ORIENTATION OF THE PILOT CONTROL UNITS



Valve configuration	approx. weight (kg lb)	H (mm in)
only body + gaiter	1.4 3.09	-
with S* handles	1.7 3.75	131 5.16
with MFE handles	1.7 3.75	154 6.06
with MFE2 handles	1.8 3.97	153 6.02
with EXM handles	1.6 3.53	137 5.39

A = 75mm[2.95] for 1/4" BSP PORTS
A = 82mm[3.23] for 9/16"-18 SAE6 PORTS

* For the correct operation of special version HPV1C01F it is recommended to use 60° cone connectors, in accordance with ISO 8434-6 (Metallic tube connections for fluid power and general use — Part 6: 60° cone connectors with or without O-ring)

Supported by a worldwide network



CONTACT INFORMATION

EMEA

GERMANY	Hydreco Hydraulics GmbH, Straelen (NRW)	☎ +49 283494303-41	✉ info-de@hydreco.com
ITALY	Hydreco Hydraulics Italia Srl, Vignola (MO)	☎ +39 059 7700411	✉ sales-it@hydreco.com
ITALY	Hydreco Hydraulics Italia Srl, Parma (PR)	☎ +39 0521 1830520	✉ sales-it@hydreco.com
ITALY	Hydreco Srl, San Cesario S/P (MO)	☎ +39 059 330091	✉ cylinders@hydreco.com
NORWAY	Hydreco Hydraulics Norway AS, Nittedal	☎ +47 22909410	✉ post-no@hydreco.com
UK	Hydreco Hydraulics Ltd, Poole, Dorset	☎ +44 (0) 1202 627500	✉ info-uk@hydreco.com

AMERICAS

NORTH/LATIN	Hydreco Inc / Continental Hydraulics Inc, Shakopee (MN)	☎ +1 952 895 6400	✉ sales@conthyd.com
--------------------	---	-------------------	---------------------

APAC

AUSTRALIA	Hydreco Hydraulics Pty Ltd, Seven Hills (NSW)	☎ +61 2 9838 6800	✉ sales-au@hydreco.com
AUSTRALIA	Hydreco Hydraulics Pty Ltd, Welshpool (WA)	☎ +61 8 9377 2211	✉ reception-wa@hydreco.com
INDIA	Hydreco Hydraulics India Private Ltd, Bangalore	☎ +91 80 67656300	✉ sales-in@hydreco.com

