

**MDC SERIES**  
MULTIFUNCTION DIGITAL  
CONTROL JOYSTICK



**MDC PILOT CONTROL**

The MDC Joystick combines the extensive Hydreco experience in Hydraulics and the latest technologies based on SMD Hall effect sensors and microcontroller's architecture.

The product has a new design meant to provide a comfortable and fine control of mobile and industrial applications. It's a single lever with single / dual axis control, supported by an extensive range of handle options.

MDC versatility and flexibility of use satisfies the most demanding customer's requirements, offering a complete range of output versions: CANopen, 0-5 Volt, PWM, Ratiometric.

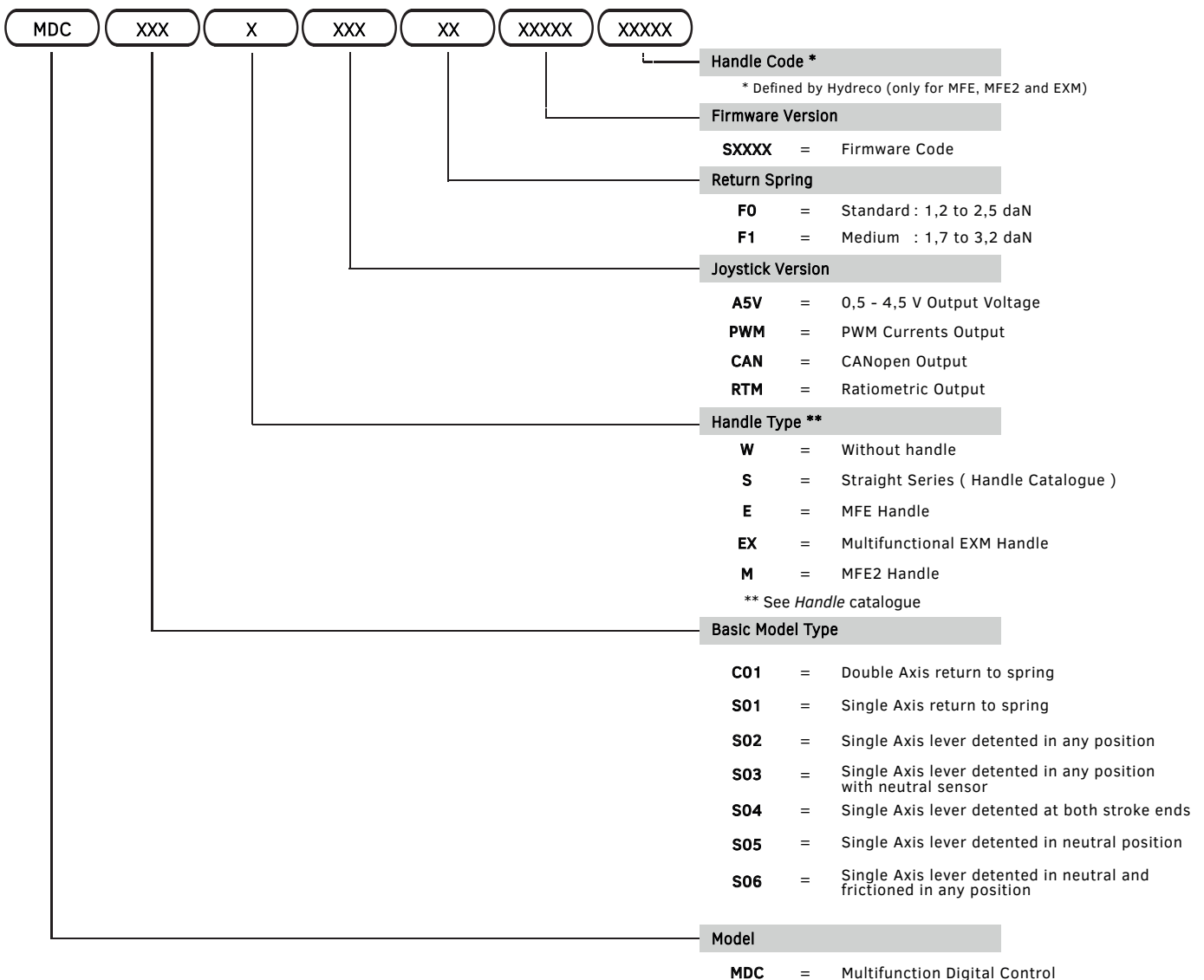
Our engineers can offer specialistic support to optimize the solution which suits each application.

**FEATURES**

- Compact, lightweight and robust PA66 body with glass fiber.
- Reliable embedded electronics and strong mechanical structure for long operating life.
- Suitable for armrest of console mounting.
- Wide range of electrical options in multifunctional ergonomic handles.
- Optional friction and detent functions available on single axis version.
- Designed for in-cabin application
- Available for the different output versions of the joystick.
- PC Software environment to set CANopen and PWM joystick's parameters.
- MDC Joystick are compliant with the EMC Directive

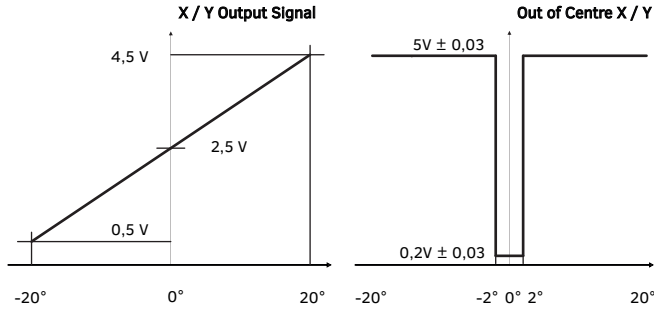
**MDC SERIES - MODEL CODING**

Hydreco Hydraulics reserves the right to update the information and data contained in this catalogue at any time without notice



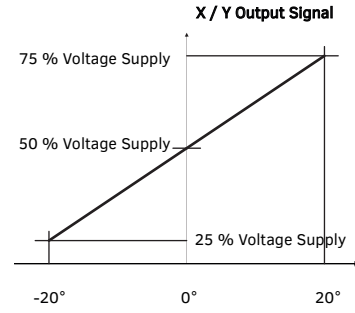
**0-5 VERSION GENERAL TECHNICAL FEATURES**

Voltage supply: 9 V to 32 V  
 Output voltage range on X/Y Axis: 0,5 ÷ 4,5 V  
 Tolerance on output signal: ± 0,03 V  
 Out of central position: 2 out 0-5 V @ 15mA  
 Mechanical life: >5 million cycles  
 Operating temperature: -40° ÷ 85°C



**RATIO-METRIC VERSION TECHNICAL FEATURES**

Voltage supply: 9 V to 32 V  
 Output voltage range on X/Y Axis: 25%Vcc-75%Vcc  
 Digital outputs: 1 for each semi-axis@500mA  
 Power digital outputs: 2 power digital outputs@5A  
 Mechanical life: >5 million cycles  
 Operating temperature: -40° ÷ 85°C



**WIRING TABLE MDC 0-5V**

WIRE COLOR	FUNCTION
RED	12 / 24 VBatt
BLACK	Gnd
YELLOW	X Axis
GRAY	Y Axis
GREEN	Y Out of centre
ORANGE	X Out of centre

**WIRING TABLE MDC RATIO-METRIC**

WIRE COLOR	FUNCTION
RED	12 / 24 VBatt
BLACK	Gnd
YELLOW	X Axis output signal
GREEN	Power On-Off out of centre Y Axis
GREY	Y Axis output signal
ORANGE	Power On-Off Out of centre X Axis
BLUE (1)	ON-OFF Out of centre (South)
BLUE (2)	ON-OFF Out of centre (North)
BLUE (3)	ON-OFF Out of centre (West)
BLUE (4)	ON-OFF Out of centre ( East)

**CANopen VERSION TECHNICAL FEATURES**

Voltage supply: 9 V to 32 V  
 Proportional axis: Up to N.4  
 Digital input: 6 ON-OFF (0-5V)  
 CANopen joystick bit rate: 125-250-500-1000 kBit/s  
 Message frequency setting: 20-60 ms  
 120 Ohm terminator setting: ON/OFF  
 Mechanical life: >5 million cycles  
 Operating temperature: -40°C ÷ 85°C

**WIRING TABLE MDC CANopen**

WIRE COLOR	FUNCTION
RED	12 / 24 VBatt
BLACK	Gnd
BROWN	CAN_L
BLUE	CAN_H

**CANopen MESSAGE CONTENT TX PDO**

Byte 0	Byte 1	Byte 2	Byte 3	Byte 4	Byte 5	Byte 6	Byte 7
Position Axis 1 0 ÷ 250	Position Axis 2 0 ÷ 250	Position Axis 3 0 ÷ 250	Position Axis 4 0 ÷ 250	Bit 0 : Axis 1+ Bit 1 : Axis 1- Bit 2 : Axis 2+ Bit 3 : Axis 2- Bit 4 : 0 Bit 5 : 0 Bit 6 : 0 Bit 7 : 0	Bit 0 : DIG_1 Bit 1 : DIG_2 Bit 2 : DIG_3 Bit 3 : DIG_4 Bit 4 : DIG_5 Bit 5 : DIG_6 Bit 6 : 0 Bit 7 : 0	Zero	Bit 0 - 3: Firmware version Bit 4 - 7: Counter 0 ÷ 15

CANopen DICTIONARY

Communication Profile Area covers index form 1000 to 1FFF

Index	Sub	Designation	Type	Default	Description
1000	0	Device type	U32, rwr	0x00050191	Profile 401; Inputs binary and analog
1800	0	Transmit PDO 1	U8, rwr	0x05	Number of the entries Trans PDO 1 <b>Binary inputs</b>
	1	COB ID PDO 1	U32, rwr	0x180 + NODE ID	• PDO is valid (bit 31=0) • CAN ID of the 1st Trans PDOs
	2	Trans type PDO 1	U8, rwr	0xFE	• 0xFE = asynch manif. Specific event, inputs are transferred on event timer
	3	Inhibit timer	U16, rwr	0x64(100)	Min period time before 2 transmission (0..65535 ms)
1A00	0	Mapping Trans PDO 1	U8, rwr	0x01	Number of the application objects linked with the binary input PDO 1
	1	Index in the object directory	U32, rwr	0x6400 01 08	Axis 1
	2	Index in the object directory	U32, rwr	0x6400 02 08	Axis 2
	3	Index in the object directory	U32, rwr	0x6400 03 08	Roller 1
	4	Index in the object directory	U32, rwr	0x6400 04 08	Roller 2
	5	Index in the object directory	U32, rwr	0x6000 01 08	1 byte binary Axis out of center bits 1..8, 8 bits lenght
	6	Index in the object directory	U32, rwr	0x6000 02 08	1 byte binary inputs bits 1..6, 8 bits lenght
	7	Index in the object directory	U32, rwr	0x6000 03 08	1 byte binary errors bits 1..8, 8 bits lenght
	8	Index in the object directory	U32, rwr	0x6000 04 08	1 byte binarystatus inputs bits 1..8, 8 bits lenght

DEVICE SPECIFIC PROFILE AREA

Manufacturer Specific Profile Area covers index from 0x2000 to 0x5FFF.

Device Specific Profile Area covers index from 0x6000 to 0x6FFF

6000	0	Read 8bit In	U8, rwr	0x02	Number of inputs 8 bit									
	1	AXIS OUT OF CENTRE	U8, rwr	0x00	Msb	Roller 2 backward	Roller 2 forward	Roller 1 backward	Roller 1 forward	Axel2 left	Axel2 right	Axel1 backward	Axel1 forward	Lsb
	2	DIN 1 .. 6	U8, rwr	0x00	Msb	0	0	DI6	DI5	DI4	DI3	DI2	DI1	Lsb
	3	Errors	U8, rwr	0x00	Msb	00	0	0	0	0	0	0	0	Lsb
	4	Status	U8, rwr	0x00	Msb	Firmware Revision						Transmission Counter 0..15		Lsb
6400	0	Write 8bit Out	U8, rwr	0x04	Number of Axis									
	1	Forward / Backward axis	U8, rwr	0x00	Range					Means				
					0..124					Backward				
					125					Center				
					126..250					Forward				
	2	Left / Right Axis	U8, rwr	0x00	Range					Means				
					0..124					Left				
					125					Center				
					26..250					Right				
	3	Roller 1	U8, rwr	0x00	Range					Means				
					0..124					Backward				
					125					Center				
					126..250					Forward				
	4	Roller 2	U8, rwr	0x00	Range					Means				
					0..124					Backward				
					125					Center				
					126..250					Forward				

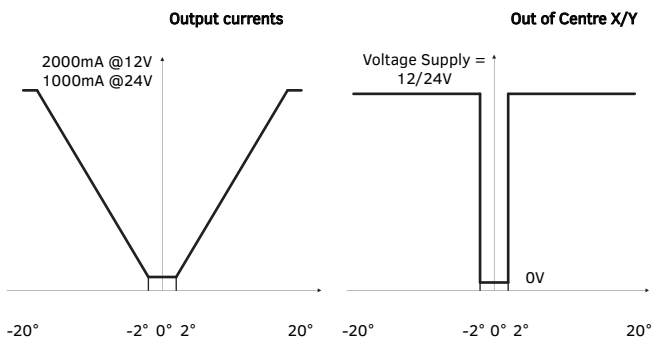


**PWM VERSION TECHNICAL FEATURES**

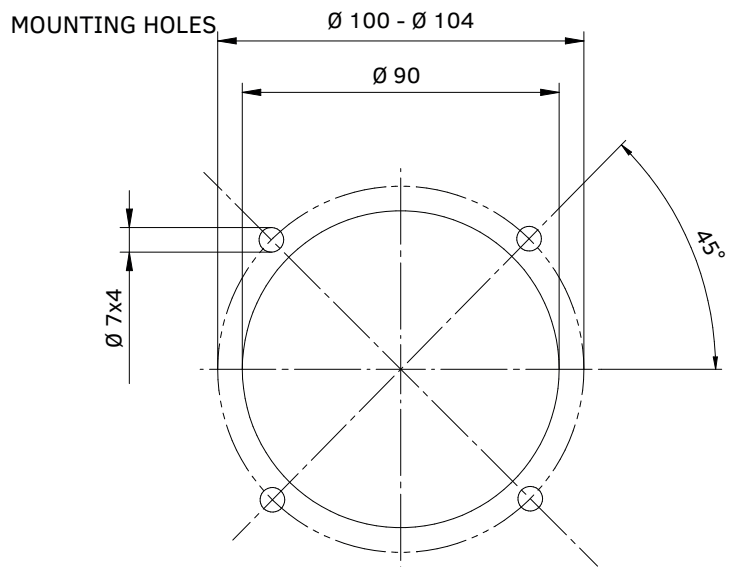
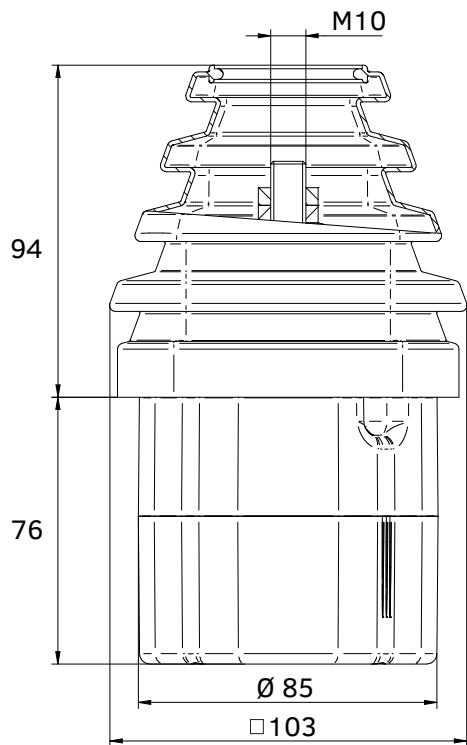
Voltage supply:	9 V to 32 V
Outputs	4 PWM currents signals on each semi-axis with 100 % duty cycle load
Digital out of centre signals:	One for each semi-axis@500mA
Digital control:	Closed-loop digital controlled outputs
Output currents:	100÷2000mA@12V; 100÷1000mA@24V
Ramps:	0-2sec
Dither:	100Hz,150Hz,200Hz,250Hz
Programming software:	MDC settings environment with PC USB Windows interface
Mechanical life:	>5 million cycles
Operating temperature:	-40°C ÷ 85°C

**WIRING TABLE MDC PWM**

WIRE COLOR	FUNCTION
RED	12 / 24 VBatt
BLACK	Gnd
WHITE	X Axis Outout signal (East)
YELLOW	Y Axis Output signal (South)
GREEN	Y Axis Output signal (North)
GREY	X Axis Output signal (West)
ORANGE	X Axis Common GND (West-East)
BROWN	Y Axis Common GND (Morth-South)
BLUE(1)	ON-OFF Out of centre (South)
BLUE(2)	ON-OFF Out of centre (North)
BLUE(3)	ON-OFF Out of centre (West)
BLUE(4)	ON-OFF Out of centre (East)



**MDC INSTALLATION DRAWING**



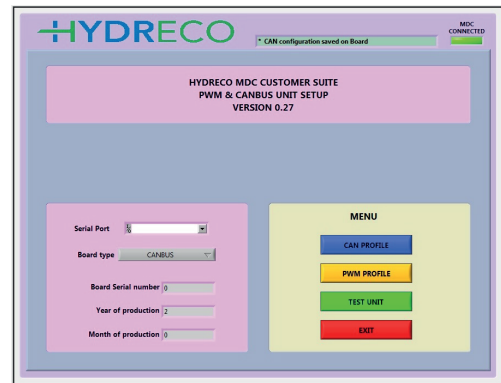
**MDC SOFTWARE ENVIRONMENT**

MDC CUSTOMER SUITE allows parameters setting for PWM and CANopen MDC Joystick. The parameters that can be set and adjusted during setting process or test on field are:

PWM version: Start current[mA], Mid Current[mA], Max current[mA], Dither[Hz], Ramps[ms].

CANopen version: ID, Bit rate[Kbps], ON-OFF termination resistor, TPDO Message timing[mS].

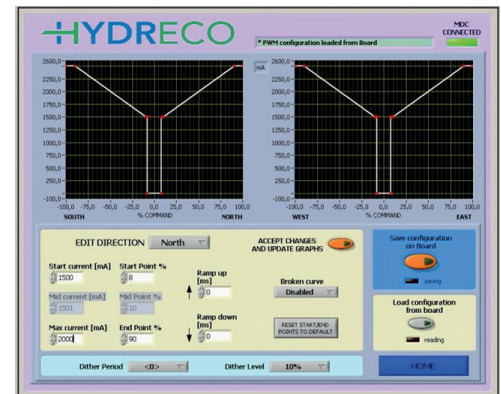
Contact Hydreco for more informations.



Home Page



CANopen Version



PWM Version

**MDC DEVICE SETTINGS**

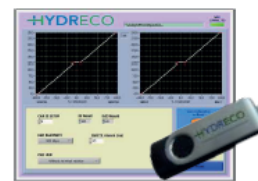
MDC Programming Kit  
 Code: G9634010393



**USB RS232 CONVERTER**  
 HYDRECO Part Number: C9634210413



**CABLE KIT RS232 FEMALE M8 FEMALE**  
 HYDRECO Part Number: P9634023883



**USB KEY MDC HYDRECO CUSTOMER SUITE**  
 HYDRECO Part Number: G9634010703

NOTE ABOUT PIN MAP CABLE KIT RS232 DB9 FEMALE M8 3 PIN FEMALE

When viewed from the front of the connector ie. not the pins solder side.  
 The pin numbering layout used can be seen in the table below.



Signal		Pin(s)	Pin(s)
Transmit Data	TD	2	C
Receive Data	RD	3	A
Request To Send	RTS		
Clear To Send	CTS		
Signal Ground	SG	5	B
Data Set Ready	DSR		
Carrier Detect	CD		
Data Terminal Ready	DTR		

Supported by a worldwide network



## CONTACT INFORMATION

### EMEA

<b>GERMANY</b>	Hydreco / Till, Helmstedt (NI)	☎ +49 (0) 5351 5586 0	✉ info@hydreco.de
<b>ITALY</b>	Hydreco Hydraulics Italia Srl, Vignola (MO)	☎ +39 059 7700411	✉ sales-it@hydreco.com
<b>ITALY</b>	Hydreco Hydraulics Italia Srl, Parma (PR)	☎ +39 0521 1830520	✉ sales-it@hydreco.com
<b>ITALY</b>	Hydreco Srl, San Cesario S/P (MO)	☎ +39 059 330091	✉ cylinders@hydreco.com
<b>NORWAY</b>	Hydreco Hydraulics Norway AS, Nittedal	☎ +47 22909410	✉ post-no@hydreco.com
<b>UK</b>	Hydreco Hydraulics Ltd, Poole, Dorset	☎ +44 (0) 1202 627500	✉ info-uk@hydreco.com

### AMERICAS

<b>NORTH/LATIN</b>	Hydreco Inc / Continental Hydraulics Inc, Shakopee (MN)	☎ +1 952 895 6400	✉ sales@conthyd.com
--------------------	---	-------------------	---------------------

### APAC

<b>AUSTRALIA</b>	Hydreco Hydraulics Pty Ltd, Seven Hills (NSW)	☎ +61 2 9838 6800	✉ sales-au@hydreco.com
<b>AUSTRALIA</b>	Hydreco Hydraulics Pty Ltd, Welshpool (WA)	☎ +61 8 9377 2211	✉ reception-wa@hydreco.com
<b>INDIA</b>	Hydreco Hydraulics India Private Ltd, Bangalore	☎ +91 80 67656300	✉ sales-in@hydreco.com