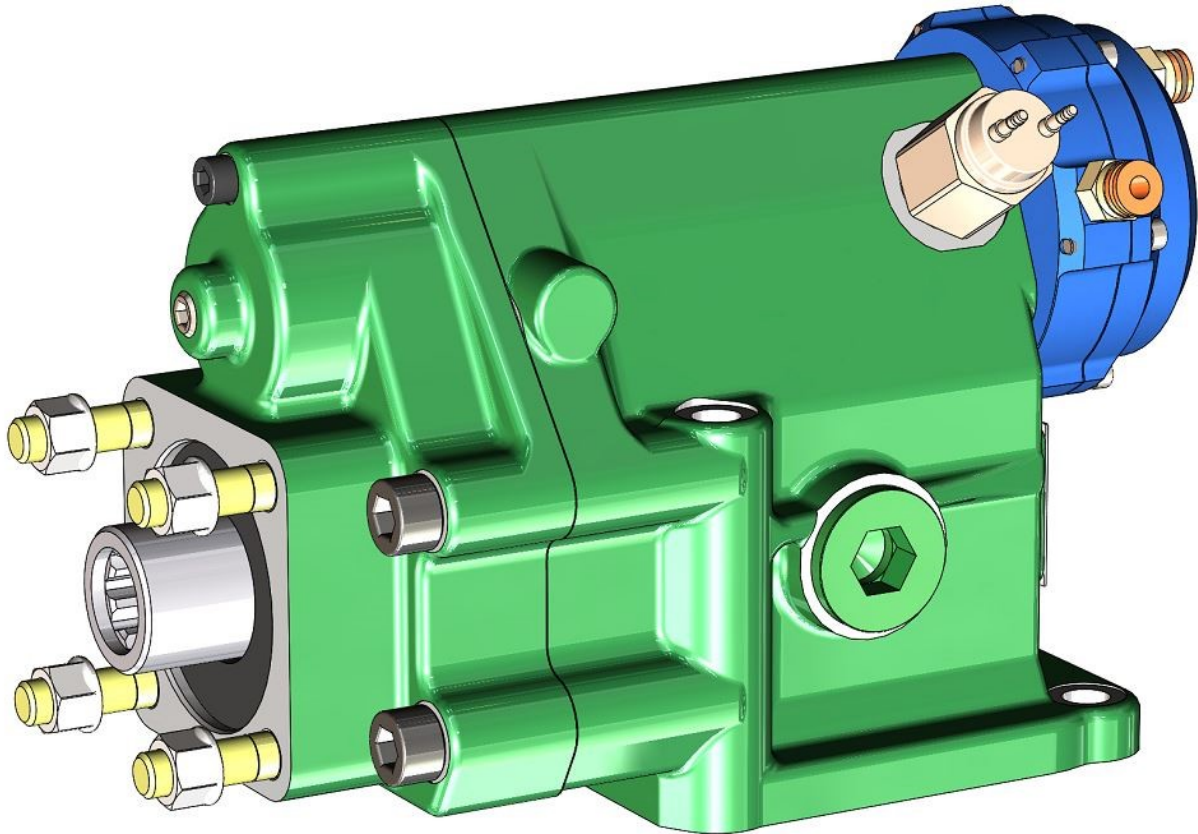


# Technical Data Sheet



## PA3680 SERIES POWER TAKE-OFF

### 6 Bolt Single Gear Side Mounted PTO

The 3680 series is designed for certain Mitsubishi transmissions with 6 bolt openings, it has an optimised output ratio for most applications.

It is a single gear constant mesh design that will enable simple fitment onto the reverse idler gear PTO opening.

Suits:

Mitsubishi Fuso M038S5 and M038S6 transmissions.  
(Refer to the eGuide Configurator on [www.hydreco.com](http://www.hydreco.com) for confirmation and details)

## Product Features

- **Output Speeds 76 and 77.5% of Engine Speed (Transmission Dependant)**  
To optimise outputs to suit applications.
- **Operation by air or vacuum or cable**  
So it can be operated on trucks without available air.

POWAUTO

DAVID BROWN  
HYDRAULICS

HYDRECO®

HYDRECO  
POWAUTO

ADVANCED HYDRAULIC TECHNOLOGIES



[www.hydreco.com](http://www.hydreco.com)

# Technical Data Sheet

## PTO DESIGNATION CODES

### 3680 Series

PA 3680 SV LI2 V 08 \*

#### Identifier

PA = PTO Side Mount

#### PTO Series

3680

#### Gear Type

SQ, SV

#### Build

L = Left side of transmission

I = Selector to top / Bias to bottom

2 = Centre to rear

(Position of gear in transmission)

#### Engagement Type

A = Air

V = Vacuum

#### Output Type

08 = 8T Powauto Hydraulic Spline

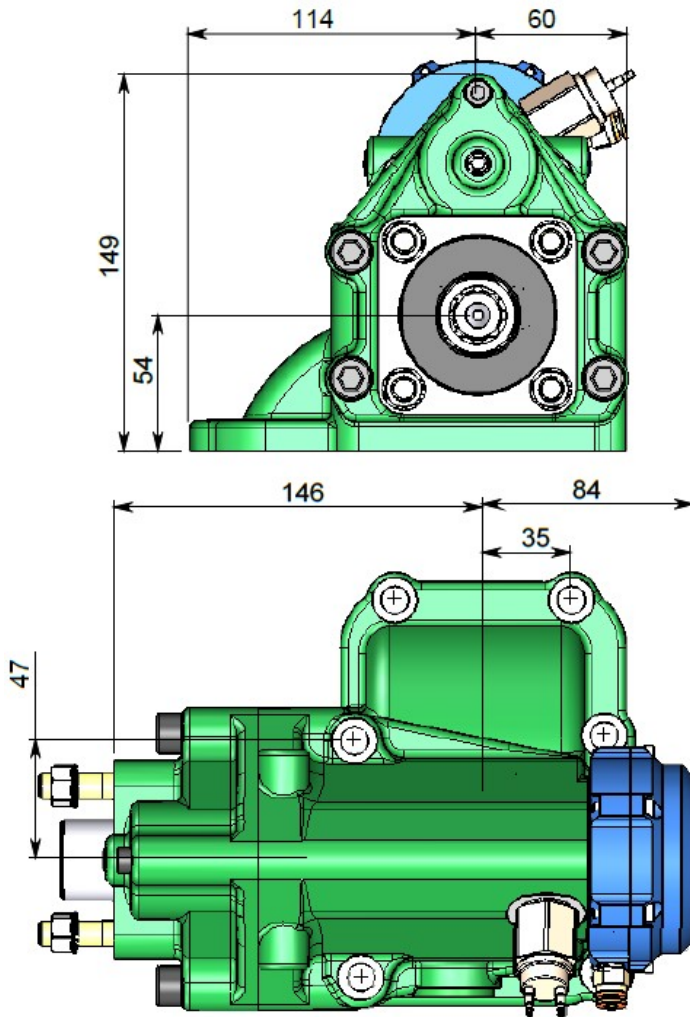
09 = 14T 12/24 30° Spline + 35 x 60 Flange

10 = 14T 12/24 30° Spline + 1310 Flange

Other outputs available on request, subject to MOQ.

#### Manufacturers Code

A = With Pressure Switch



Technical Specifications		
Ratings & Service Parts		
Torque	Nm / ft.lb	237 / 174
Output Speed	% of Engine	77.5% (M038S6)
Output Shaft Rotation		Opposite To Engine
Approximate Bare Mass	kg / lb	11.5 / 25.3
Mounting Kit		MK1193
Mounting Gasket Kit		GK030
Seal Kit		SK089A
Bearing Kit		BK089A

**Note:** For full details refer to the owners manual or the eGuide configurator found at [www.hydreco.com/solutions/on-road](http://www.hydreco.com/solutions/on-road)

Doc: PA3680—05/22

POW AUTO

DAVID BROWN  
HYDRAULICS

HYDRECO®

HYDRECO  
POW AUTO

ADVANCED HYDRAULIC TECHNOLOGIES



[www.hydreco.com](http://www.hydreco.com)