

# Technical Data Sheet



## PA411 SERIES POWER TAKE-OFF

### Heavy Duty 6 Bolt Side Mounted PTO

The 411 series is designed to fit the Isuzu MYY6E transmissions with a 6 bolt opening on various N Series vehicles. It is a heavy-duty deep reach design.

The 6 bolt flange fits certain Isuzu transmissions in both manual and AMT configurations allowing for a compact fit on these gearboxes.

#### Suits:

Isuzu MYY6E Manual and AMT transmissions.  
(Refer to the eGuide Configurator on [www.hydreco.com](http://www.hydreco.com) for confirmation and details)

## Product Features

- **Deep reach**  
Meshes with Isuzu MYY6E transmissions.
- **Helical gears**  
For quieter operation.
- **Constant mesh gears**  
Less potential for gearbox damage through misuse.
- **Heavy duty tapered roller bearings**  
For long life and better support of the idler gear.

POWAUTO

DAVID BROWN  
HYDRAULICS

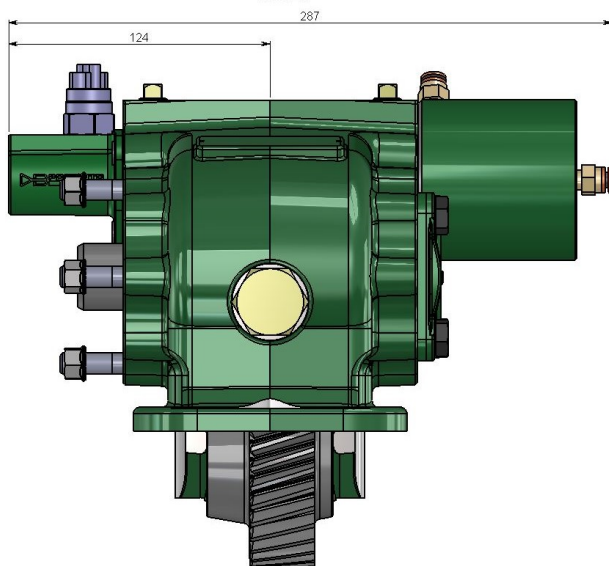
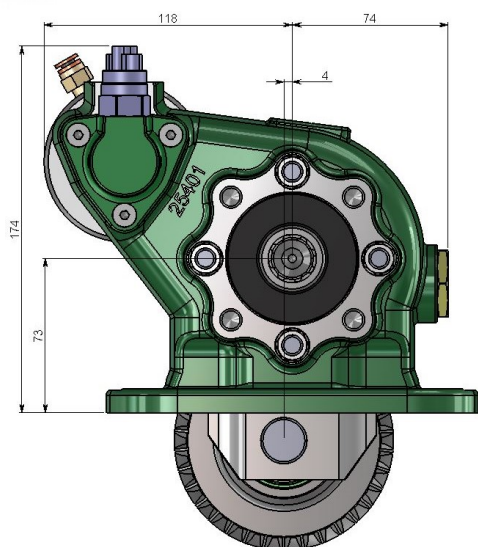
HYDRECO®

HYDRECO  
POWAUTO  
ADVANCED HYDRAULIC TECHNOLOGIES



[www.hydreco.com](http://www.hydreco.com)

# Technical Data Sheet



## PTO DESIGNATION CODES

### 411 Series

PA 411 EHI L24 V 08 \*

#### Identifier

PA = PTO Side Mount

#### PTO Series

411

#### Gear Type

EHI

#### Build

L = Left side of transmission

2 = Selector to bottom / Bias to top

4 = Rear to centre

(Position of gear in transmission)

#### Engagement Type

V = Vacuum

#### Output Type

08 = 8T Powauto Hydraulic Spline

13 = 13T SAE B Hydraulic Spline + SAE B Pump Mount

16 = Ø30 Taper Shaft - 1" x 1/4" Key - 35 x 60 Flange

17 = Ø30 Taper Shaft - 1" x 1/4" Key - 1410 Flange

25 = 9T SAE A Hydraulic Spline + SAE A Pump Mount

35 = Ø30 Taper Shaft - 1" x 5/16" Key - 50 x 62.5 Flange

Other outputs available on request, subject to MOQ.

#### Manufacturers Code

A = With Pressure Switch

B = With Mounting Kit

Technical Specifications		
Ratings & Service Parts		
Torque	Nm / ft.lb	336 / 247
Power @ 500 rpm	kW / hp	17.5 / 23.5
Power @ 1000 rpm	kW / hp	35.0 / 47.0
Output Shaft Rotation		Opposite To Engine
Approximate Bare Mass	kg / lb	13.0 / 28.6
Mounting Kit		MK1146
Mounting Gasket Kit		GK001
Seal Kit		SK039B
Bearing Kit		BK039B

**Note:** For full details refer to the owners manual or the eGuide configurator found at [www.hydreco.com/solutions/on-road](http://www.hydreco.com/solutions/on-road)

Doc: PA411—04/20

POW AUTO

DAVID BROWN  
HYDRAULICS

HYDRECO®

HYDRECO  
POW AUTO

ADVANCED HYDRAULIC TECHNOLOGIES



[www.hydreco.com](http://www.hydreco.com)