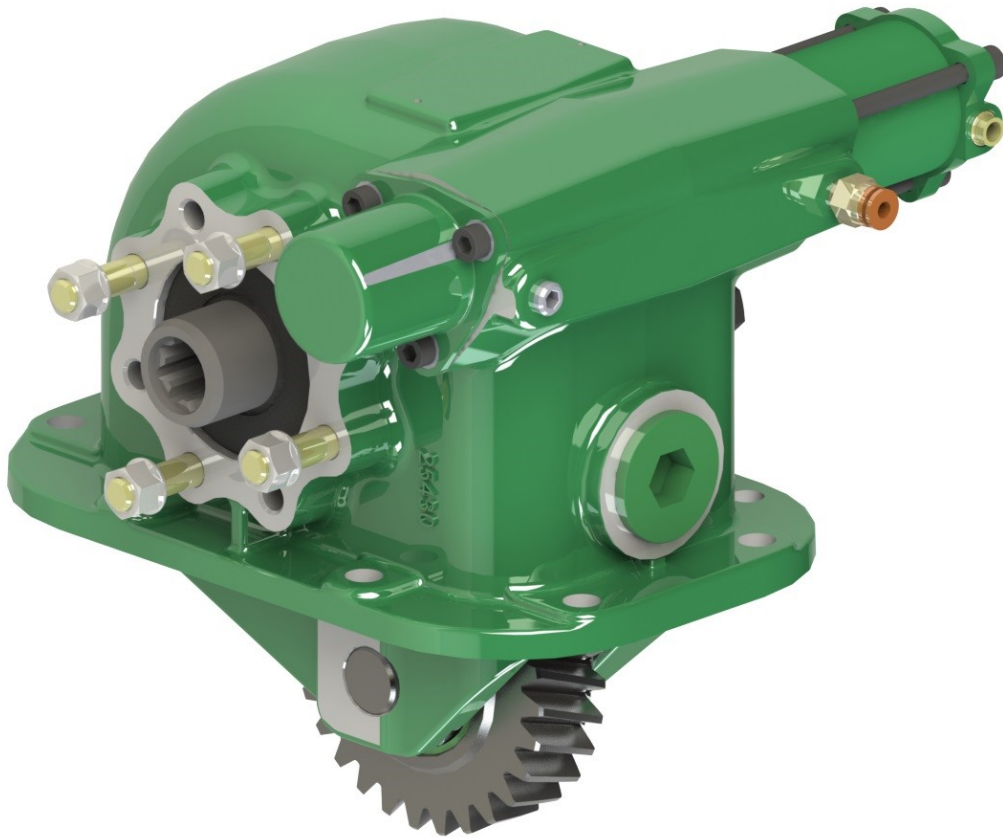


Technical Data Sheet



PA418 SERIES POWER TAKE-OFF

Deep Reach High Torque 8 Bolt Side Mounted PTO

The 418 series is designed for the left opening of certain Isuzu transmissions with an 8 bolt opening. It is a heavy-duty deep reach design.

Suits:

Isuzu MZW6P manual & AMT transmissions.
(Refer to the eGuide Configurator on www.hydreco.com for confirmation and details)

Product Features

- **Output Speed 91% of Engine Speed**
For very high torque at the output.
- **Wide variety of outputs**
To suit many vehicle configurations.
- **Constant mesh gears**
Less potential for gearbox damage through misuse.
- **Heavy duty tapered roller bearings**
For long life and better support of the idler gear.

POWAUTO

DAVID BROWN
HYDRAULICS

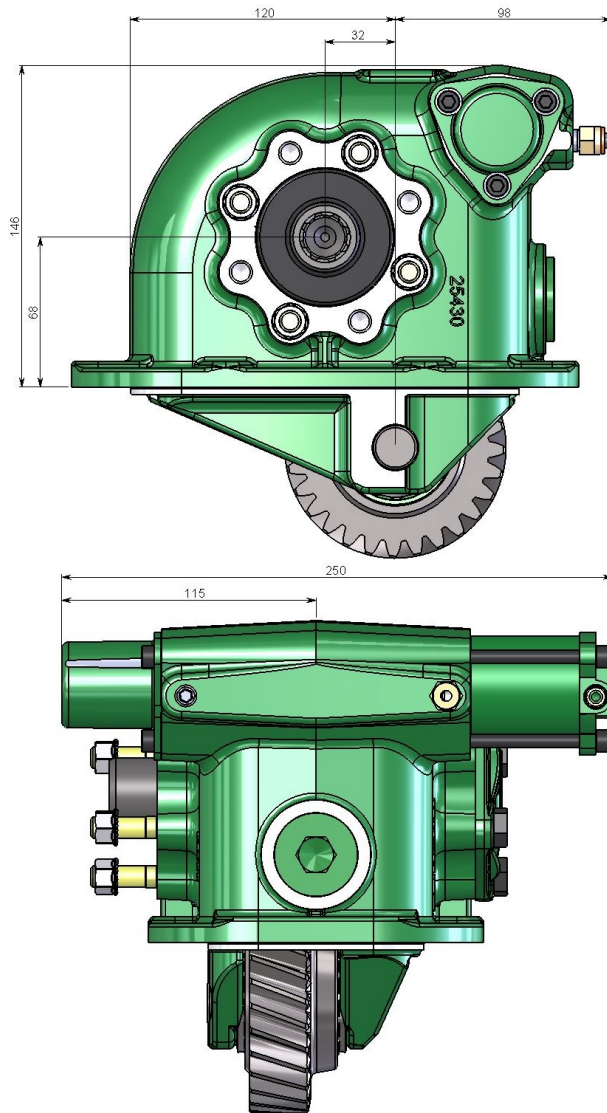
HYDRECO®

HYDRECO
POWAUTO
ADVANCED HYDRAULIC TECHNOLOGIES



www.hydreco.com

Technical Data Sheet



PTO DESIGNATION CODES

418 Series

PA 418 KQ L12 A 08 *

Identifier

PA = PTO Side Mount

PTO Series

418

Gear Type

KQ

Build

L = Left side of transmission

1 = Selector to top / Bias to bottom

2 = Centre to rear

(Position of gear in transmission)

Engagement Type

A = Air

Output Type

08 = 8T Powauto Hydraulic Spline

09 = 14T 12/24 30° Spline + 35 x 60 Flange

10 = 14T 12/24 30° Spline + 1310 Flange

11 = 14T 12/24 30° Spline + 1410 Flange

13 = 13T SAE B Hydraulic Spline + SAE B Pump Mount

23 = 8T Ø36 DIN 5462 Spline - Female and DIN Mount

25 = 9T SAE A Hydraulic Spline + SAE A Pump Mount

Other outputs available on request, subject to MOQ.

Manufacturers Code

A = With Pressure Switch

B = With Mounting Kit

C = With Mounting Kit & PTO Control Kit

Technical Specifications		
Ratings & Service Parts		
Torque	Nm / ft.lb	460 / 340
Power @ 500 rpm	kW / hp	24.0 / 32.2
Power @ 1000 rpm	kW / hp	48.0 / 64.3
Output Shaft Rotation		Same as Engine
Approximate Bare Mass	kg / lb	15.0 / 33.0
Mounting Kit		MK1190
Mounting Gasket Kit		GK027
Seal Kit		SK088
Bearing Kit		BK088

Note: For full details refer to the owners manual or the eGuide configurator found at www.hydreco.com/solutions/on-road

Doc: PA418—04/20

POW AUTO

DAVID BROWN
HYDRAULICS

HYDRECO®

HYDRECO
POW AUTO

ADVANCED HYDRAULIC TECHNOLOGIES



www.hydreco.com