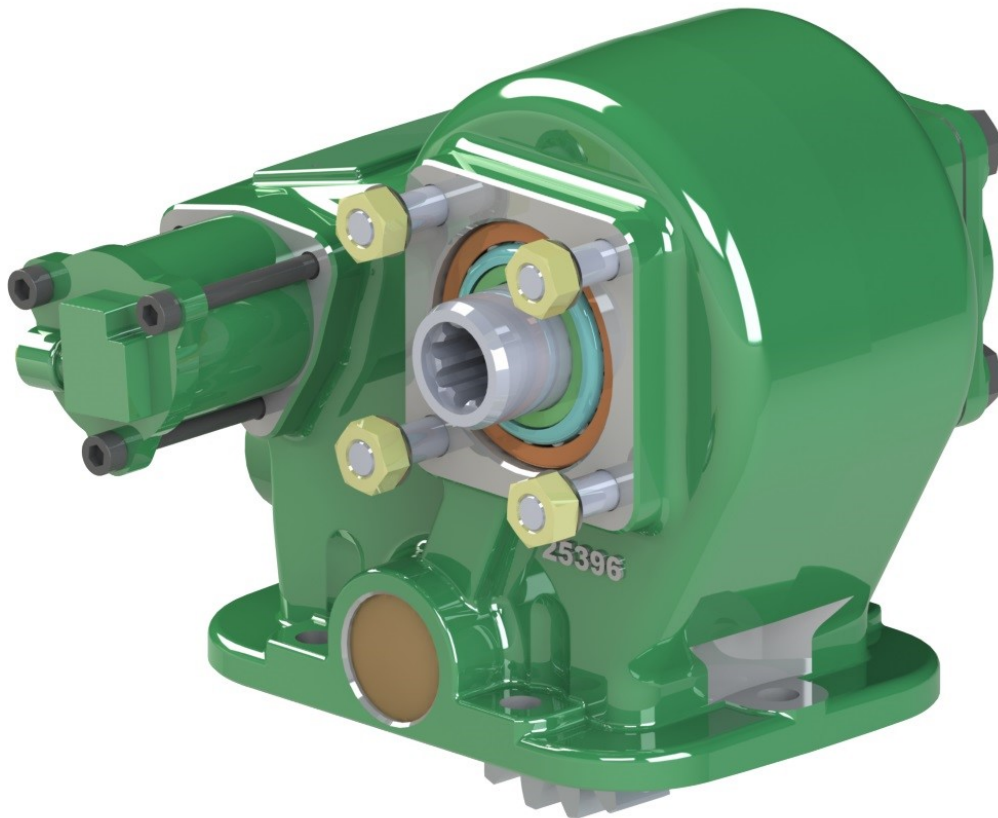


Technical Data Sheet



PA76 SERIES POWER TAKE-OFF

SAE 6 Bolt Side Mounted PTO

The 76 series is designed for transmissions with SAE 6 bolt openings, it has an optimised output ratio for most applications.

Continuing Hydreco Powauto's commitment to maximum torque density this PTO's design has higher specifications than most similar competing PTO's.

With optimised ratios this PTO will provide extra torque for normal engine speeds.

Suits:

Eaton, Fuller, Mack, Nissan, Rockwell and Spicer.
(Refer to the eGuide Configurator on www.hydreco.com for confirmation and details)

Product Features

- **Wide variety of assembly options**
To fit many different applications and locations with air and cable control.
- **Mechanical or hydraulic output options**
Allows for fitment to a wide variety of applications.
- **Standard SAE 6 bolt mount**
Suitable for a wide range of transmissions.
- **Tapered roller bearings on output shaft**
Provides a longer PTO life and superior performance.

POWAUTO

DAVID BROWN
HYDRAULICS

HYDRECO®

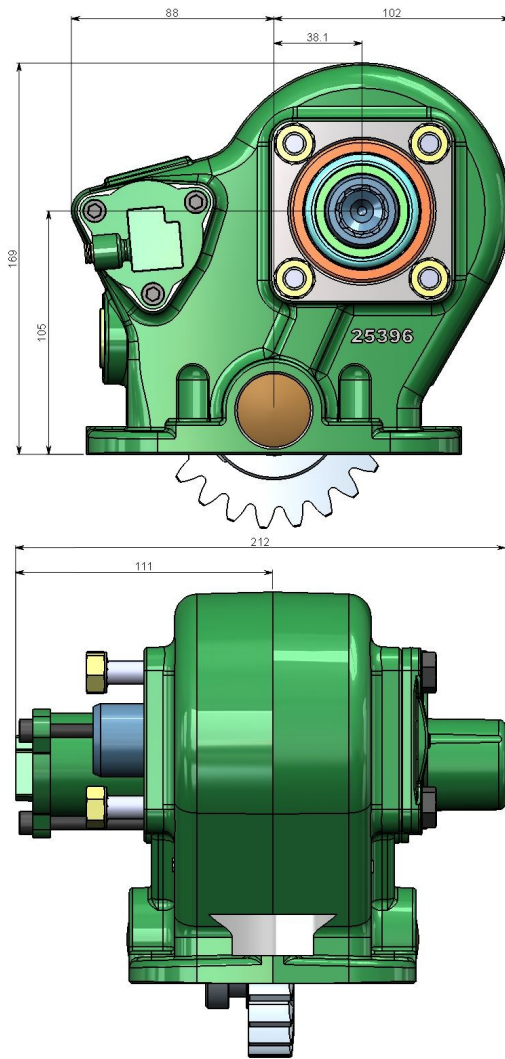
HYDRECO
POWAUTO

ADVANCED HYDRAULIC TECHNOLOGIES



www.hydreco.com

Technical Data Sheet



PTO DESIGNATION CODES

76 Series

PA 76 B R12 A 08 *

Identifier

PA = PTO Side Mount

PTO Series

76

Gear Type

B

Build

L = Left side of transmission

R = Right side of transmission

1 = Selector to top / Bias to bottom

2 = Selector to bottom / Bias to top

1 = Centre to front

2 = Centre to rear

(Position of gear in transmission)

Engagement Type

A = Air

Output Type

01 = $\varnothing 1\frac{1}{4}$ " - $1\frac{1}{8}$ " x 5/16" Key

08 = 8T Powauto Hydraulic Spline

13 = 13T SAE B Hydraulic Spline + SAE B Pump Mount

30 = 13T SAE B Hydraulic Spline + DIN Mount

Other outputs available on request, subject to MOQ.

Manufacturers Code

A = With Pressure Switch

B = With Mounting Kit

C = With Mounting Kit & PTO Control Kit

Technical Specifications		
Ratings & Service Parts		
Torque	Nm / ft.lb	271 / 200
Power @ 500 rpm	kW / hp	14.2 / 19.0
Power @ 1000 rpm	kW / hp	28.4 / 38.0
Output Shaft Rotation		Opposite To Engine
Approximate Bare Mass	kg / lb	11.0 / 24.2
Mounting Kit		* See note
Mounting Gasket Kit		GK001
Seal Kit		SK059
Bearing Kit		BK059

* Mounting kit varies with transmission - refer to eGuide Configurator.

Note: For full details refer to the owners manual or the eGuide configurator found at www.hydreco.com/solutions/on-road

Doc: PA76—04/20

POW AUTO

DAVID BROWN
HYDRAULICS

HYDRECO®

HYDRECO
POW AUTO

ADVANCED HYDRAULIC TECHNOLOGIES



www.hydreco.com