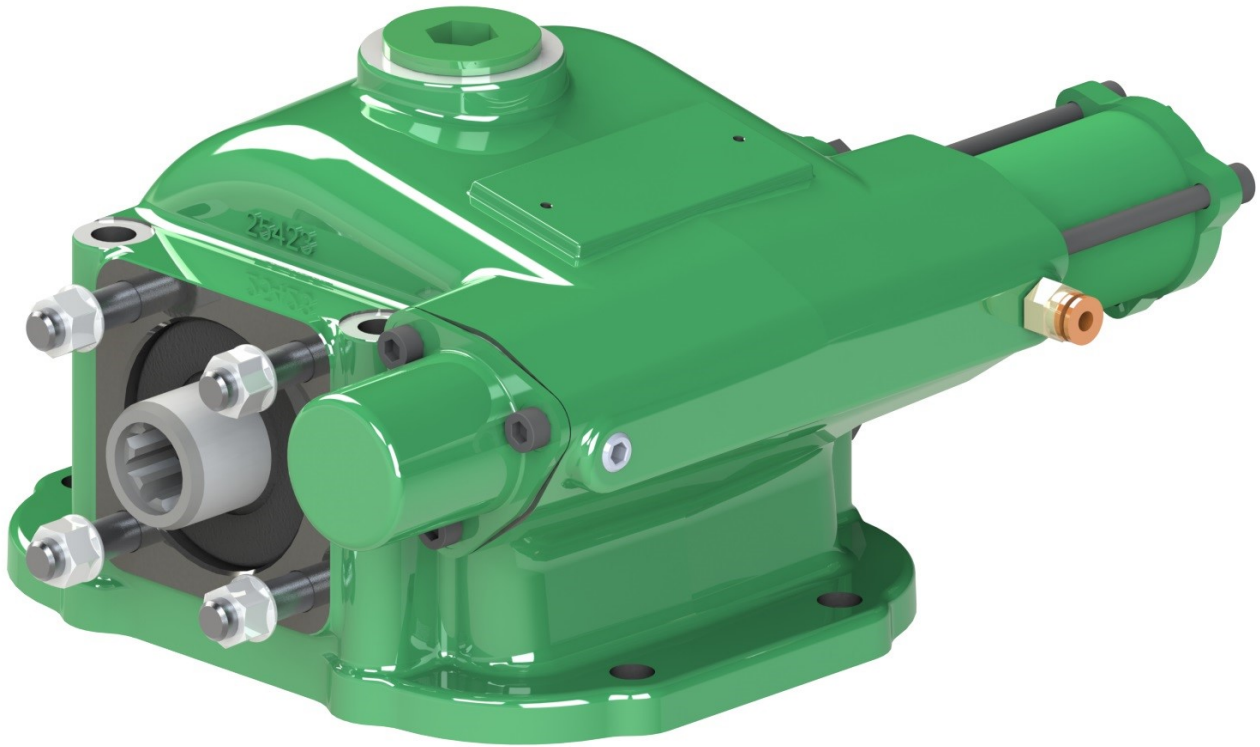


Technical Data Sheet



PA859 SERIES POWER TAKE-OFF

8 Bolt Single Gear Side Mounted PTO

The 859 series is a single reduction PTO designed for Isuzu MZX12P transmissions with an 8 bolt opening.

Continuing Hydreco Powauto's commitment to maximum torque density, this PTO achieves superior strength with minimum size and is economically priced.

Suits:

Isuzu MZX12P AMT transmissions.

(Refer to the eGuide Configurator on www.hydreco.com for confirmation and details)

Product Features

- **Output speed 97.5% of engine speed**
For maximum torque output for pump operation.
- **Air shift operation**
For ease of engagement.
- **Single gear design**
For simple and smooth operation.
- **Large range of outputs**
To allow close coupling or remote mounting of the pump.
- **Heavy duty tapered roller bearings**
For long life and better support of the idler gear.

POW AUTO

DAVID BROWN
HYDRAULICS

HYDRECO®

HYDRECO
POW AUTO

ADVANCED HYDRAULIC TECHNOLOGIES



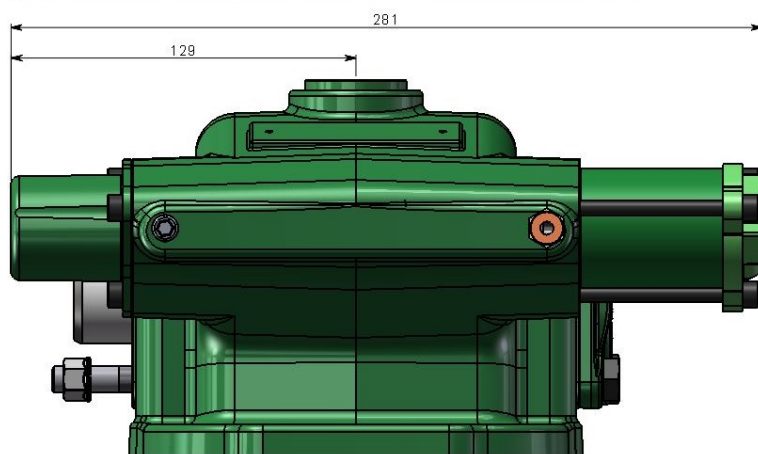
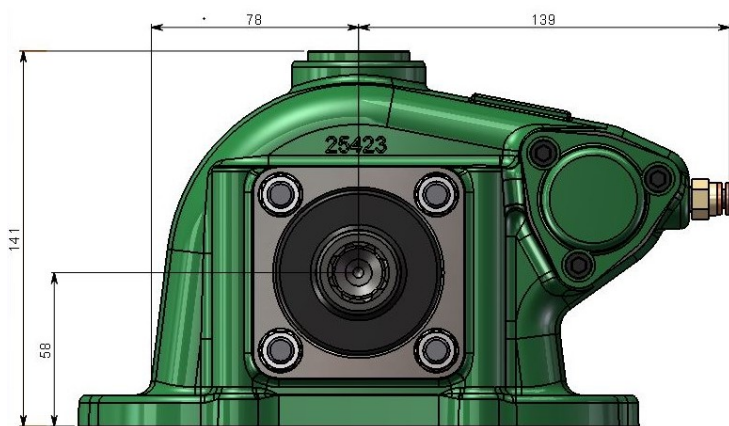
www.hydreco.com

Technical Data Sheet

PTO DESIGNATION CODES

859 Series

PA 859 N2 L I I K 08 *



Identifier

PA = PTO Side Mount

PTO Series

859

Gear Type

N2

Build

L = Left side of transmission

I = Selector to top / Bias to bottom

I = Centre to front

(Position of gear in transmission)

Engagement Type

K = Air - Pull to engage

Output Type

08 = 8T Powauto Hydraulic Spline

10 = 14T 12/24 30° Spline + 1310 Flange

Other outputs available on request, subject to MOQ.

Manufacturers Code

A = With Pressure Switch

B = With Mounting Kit

C = With Mounting Kit & PTO Control Kit

Technical Specifications		
Ratings & Service Parts		
Torque	Nm / ft.lb	490 / 361
Power @ 500 rpm	kW / hp	25.6 / 34.4
Power @ 1000 rpm	kW / hp	51.3 / 68.7
Output Shaft Rotation		Opposite to Engine
Approximate Bare Mass	kg / lb	13.5 / 29.7
Mounting Kit		MK1186
Mounting Gasket Kit		GK029
Seal Kit		SK085A
Bearing Kit		BK085A

Note: For full details refer to the owners manual or the eGuide configurator found at www.hydreco.com/solutions/on-road

Doc: PA859—04/20

POW AUTO

DAVID BROWN
HYDRAULICS

HYDRECO®

HYDRECO
POW AUTO

ADVANCED HYDRAULIC TECHNOLOGIES



www.hydreco.com