

Technical Data Sheet



PB473 SERIES POWER TAKE-OFF

Rear Mount PTO for Mercedes Benz

The 473 series is designed for certain Mercedes Benz transmissions with rear openings, it is a biaxial PTO design.

Well proven air shift mechanism for trouble free operation. Flange matched to the transmission output.

Suits:

Mercedes Benz G131, G210, G211, G230, G231, G240, G241, G260, G281 and G330 transmissions. Detroit DT12 transmissions.

(Refer to the eGuide Configurator on www.hydreco.com for confirmation and details)

Product Features

- **Output Speeds 93.7 to 198% of Engine Speed (Model and Range Dependant)**
Provides good speeds for pump fitment.
- **Standard Outputs**
For flexibility in applications
- **Non Standard Rear Mount**
Suits certain Mercedes Benz transmissions.
- **Standard DIN 4 Bolt Rear Mount**
For ease of fitment
- **Deep Groove Ball Bearings on Output Shaft**
For longer life and higher performance.

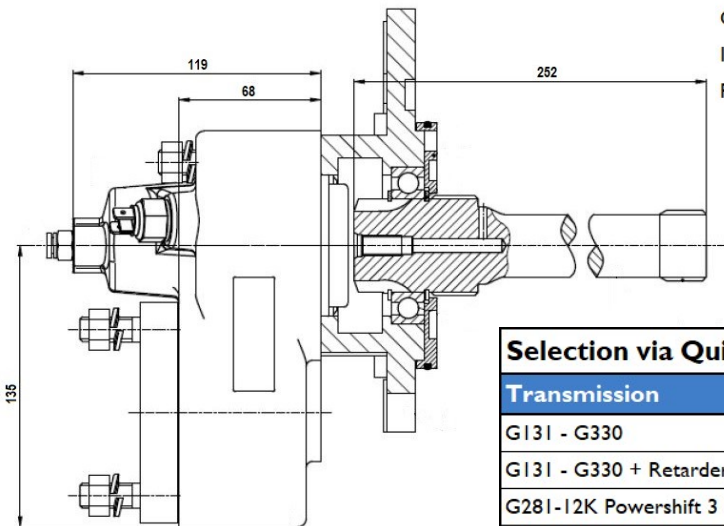
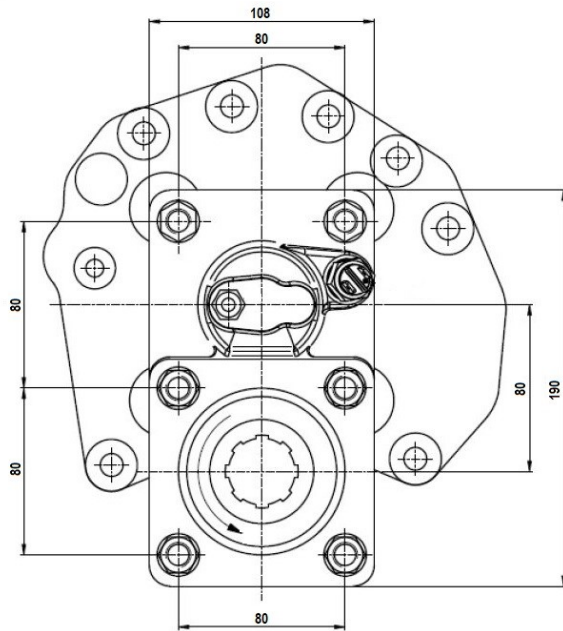


HYDRECO
a member of **DAIKIN** group



www.hydreco.com

Technical Data Sheet



PTO DESIGNATION CODES

473 Series

Identifier

PB = PTO Rear Mount

PTO Series

473

Engagement Type

A = Air

Output Type

23 = 8T Ø36 DIN 5462 Spline - Female and DIN Mount

Options

Omit = Standard transmission

IN = Retarder fitted to standard transmission

P3 = G281-12 Powershift3 and Detroit DT12 (no retarder)

PB 473 A 23 IN

Option: The connector kit for the engagement switch is part number 49700048, available separately.

Selection via Quill Shaft Length

Transmission	No PTO	With PTO	Part #
G131 - G330	210	250	PB473A23
G131 - G330 + Retarder	235	275	PB473A23IN
G281-12K Powershift 3	226	268	PB473A23P3
G281-12K Powershift 3 + Aquatarder	250	293	TBA

Technical Specifications		
Ratings & Service Parts		
Torque	Nm / ft.lb	320 / 236
Power @ 500 rpm	kW / hp	16.0 / 21.4
Power @ 1000 rpm	kW / hp	32.0 / 42.9
Output Shaft Rotation		Same as Engine
Approximate Bare Mass	kg / lb	13.5 / 29.7
Mounting Kit		Included
Seal Kit		

Note: For full details refer to the owners manual or the eGuide configurator found at www.hydreco.com/solutions/on-road

Doc: PB473—10/24



HYDRECO
a member of **DAIKIN** group



www.hydreco.com