

PRSVS/M SERIES

SINGLE AND SECTIONAL
PILOT CONTROL VALVES



PRSVS SERIES INTRODUCTION

HYDRAULIC PILOT CONTROL

PRSV Pilot Control Valves are part of the comprehensive range of David Brown Hydraulics product.

This product, with its individual lever control, supported by an extensive range of control curve characteristics and a choice of handle options, makes it suitable for a wide range of both mobile and industrial applications.

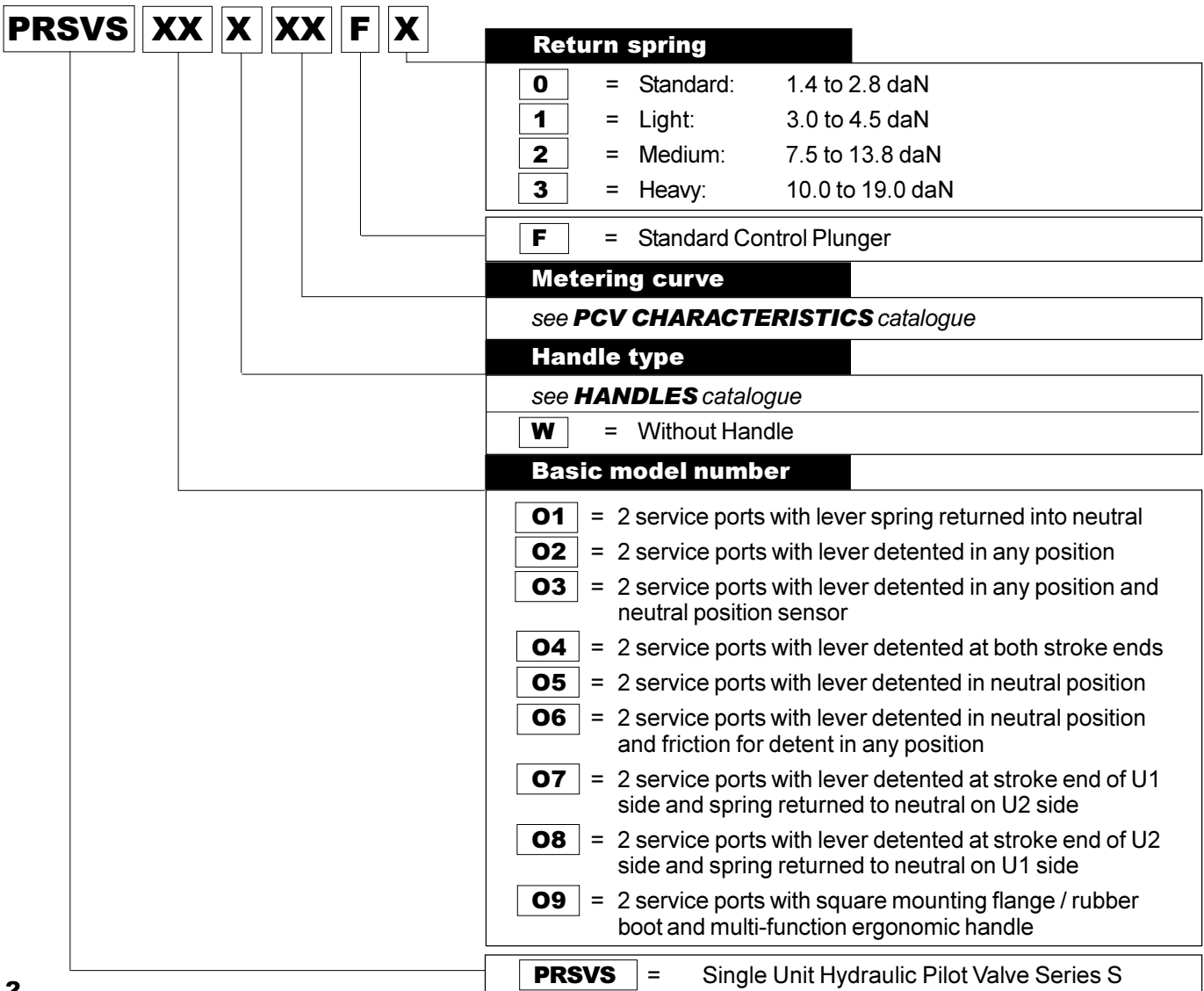
Our engineers can offer specialist support to optimise this product to suit your application. The product is supported by a comprehensive Sales and Service facility around the world.

BENEFITS

- Compact and light weight
- Service ports on bottom face with supply and return ports on side faces for ease of installation
- Simple to mount
- Compatible with a wide range of equipment
- Operator is insulated from high temperature components
- Proven, simple pressure reducing elements
- Wide range of low hysteresis, high accuracy, pressure control curves
- Range of electrical options within handle options
- Low effort lever control

David Brown Hydraulics reserve the right to update the information and data contained in this catalogue at any time.

PRSVS SERIES MODEL CODING



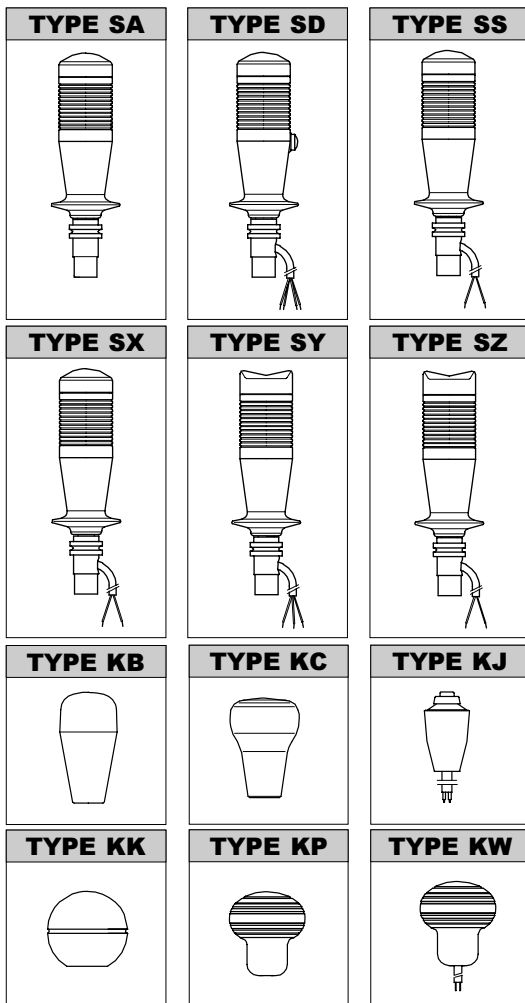
PRSVS SERIES TECHNICAL DATA

SINGLE LEVER PILOT CONTROL VALVES TYPE S

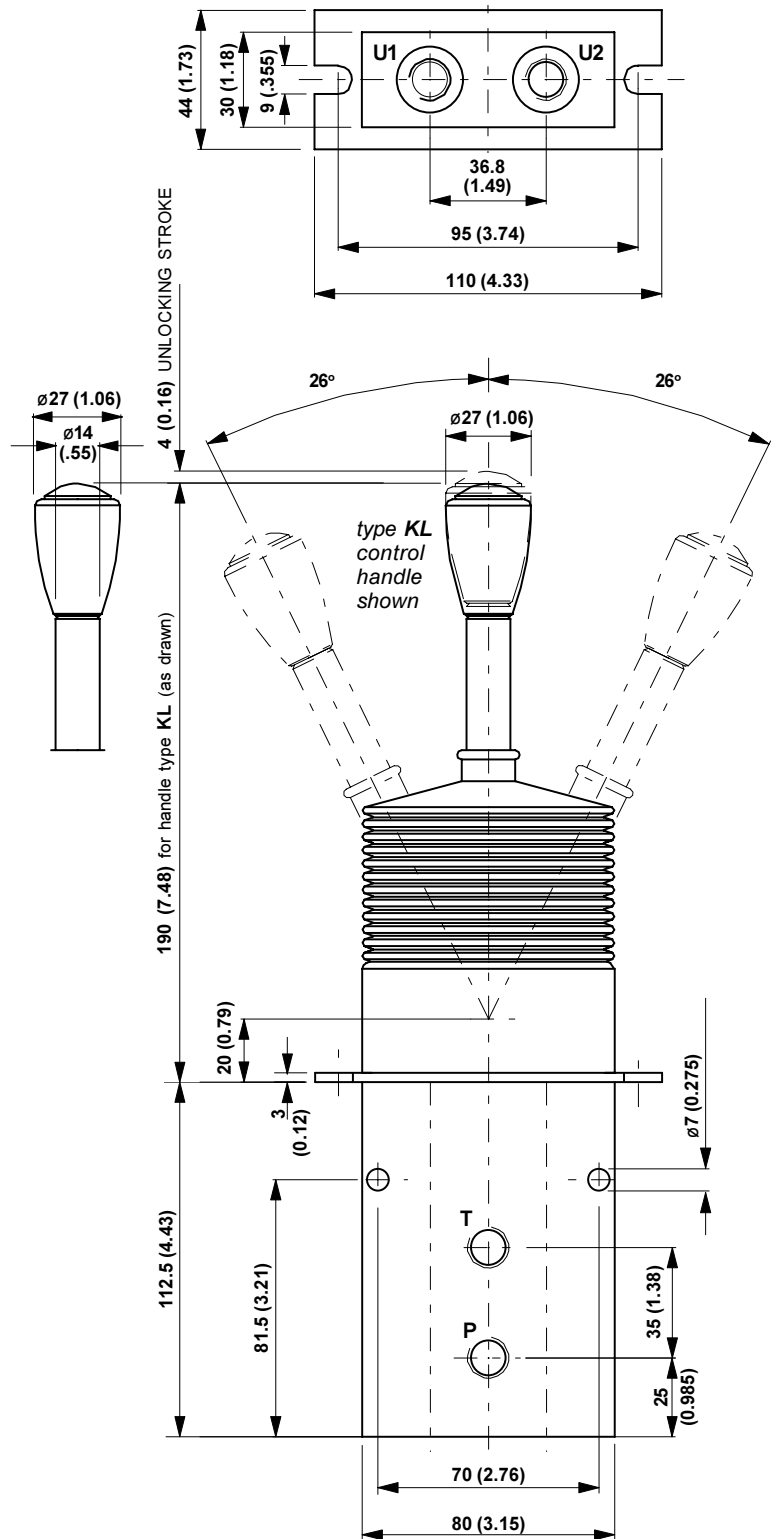
Single lever pilot control valves type S are fitted with a protective rubber cover. They can easily be modified from one model to another simply by replacing some of the parts which are mounted on the lever mechanism, inside the protective cover; therefore installation dimensions are common for any model.

The following chart shows a view of all the control handles and knobs which may be supplied with the type S control valve. For details of each type see the **Handles** catalogue.

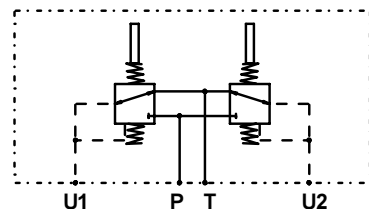
All models in the type S range can be fitted with a multi-function ergonomic handle. See next page.



plus type KL as shown on main drawing



HYDRAULIC CIRCUIT DIAGRAM

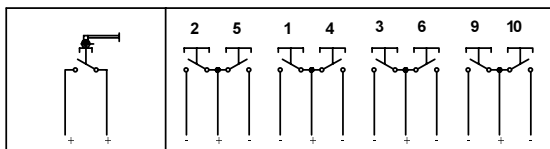


PRSVS SERIES TECHNICAL DATA

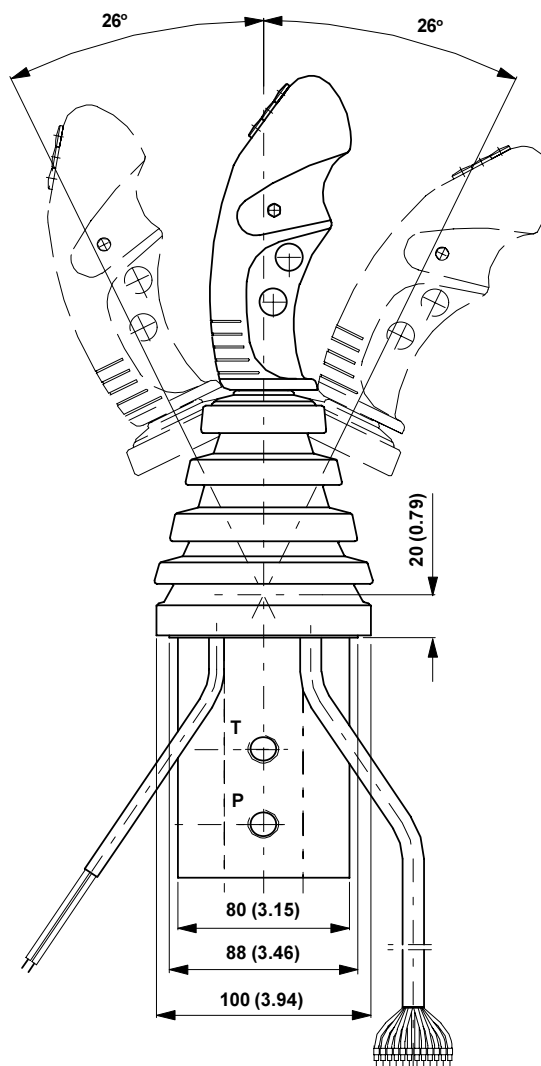
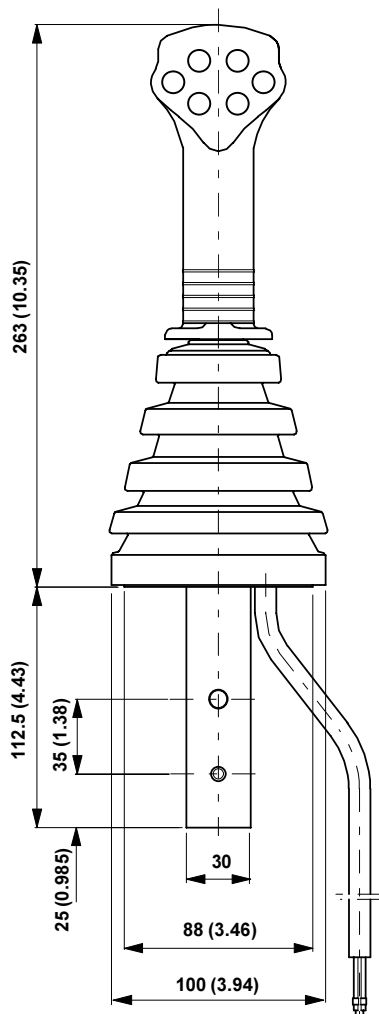
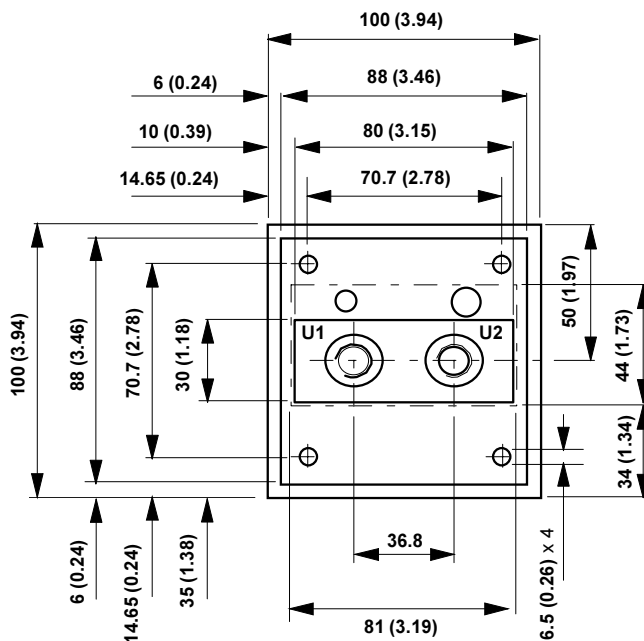
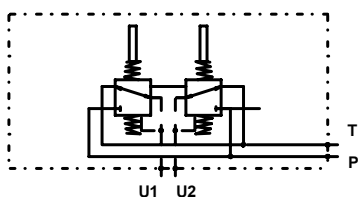
SINGLE LEVER PILOT CONTROL VALVE PRSVS09

For handle options available in the Multi-function Ergonomic range, see the **Handles** catalogue.

ELECTRIC CIRCUIT DIAGRAM



HYDRAULIC CIRCUIT DIAGRAM



PR SVM SERIES INTRODUCTION

HYDRAULIC PILOT CONTROL

PRSV Pilot Control Valves are part of the comprehensive range of David Brown Hydraulics product.

This product, with its individual lever control, supported by an extensive range of control curve characteristics and a choice of handle options, makes it suitable for a wide range of both mobile and industrial applications.

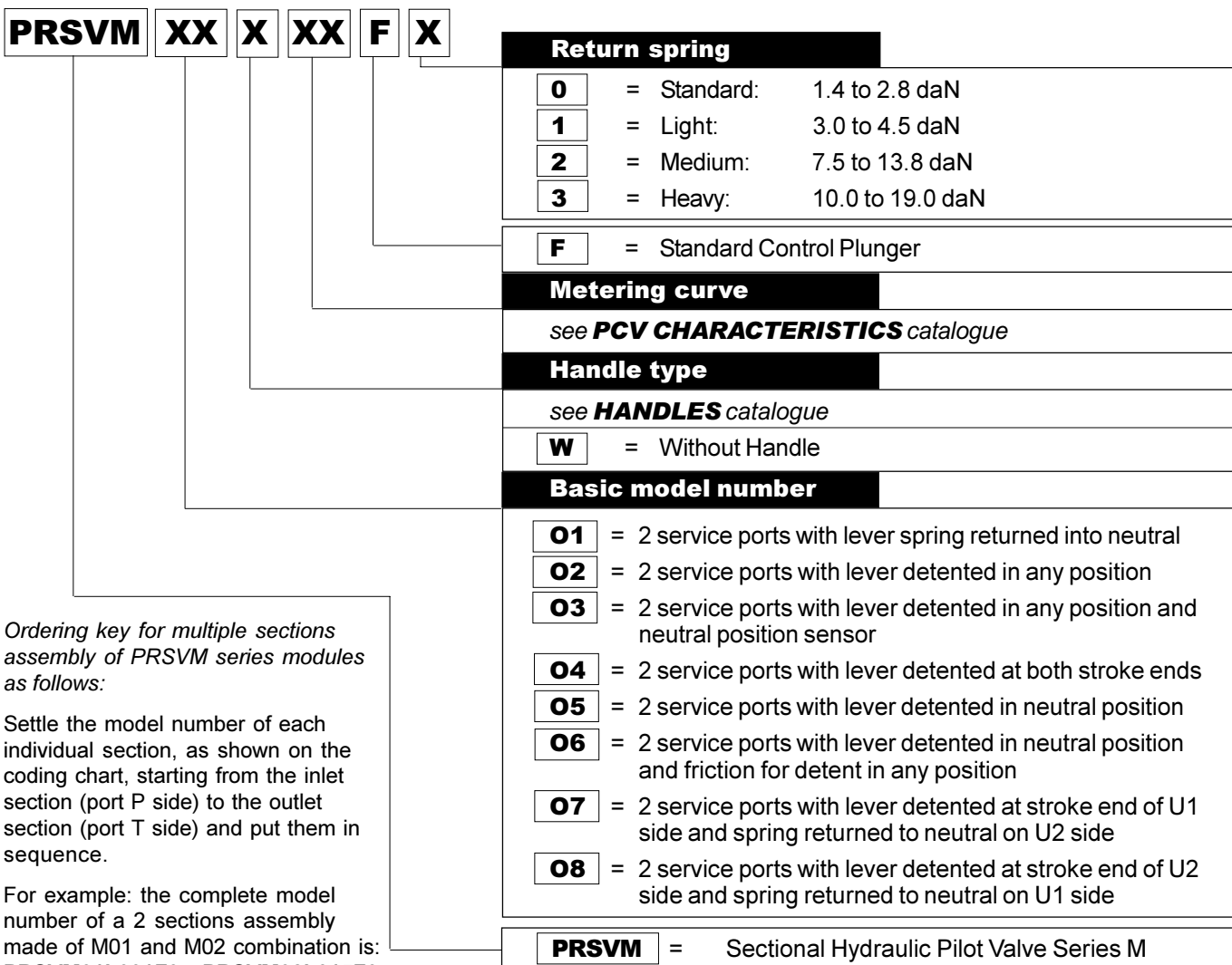
Our engineers can offer specialist support to optimise this product to suit your application. The product is supported by a comprehensive Sales and Service facility around the world.

BENEFITS

- Compact and light weight
- Service ports on bottom face with supply and return ports on side faces for ease of installation
- Simple to mount
- Compatible with a wide range of equipment
- Operator is insulated from high temperature components
- Proven, simple pressure reducing elements
- Wide range of low hysteresis, high accuracy, pressure control curves
- Range of electrical options within handle options
- Low effort lever control

David Brown Hydraulics reserve the right to update the information and data contained in this catalogue at any time.

PR SVM SERIES MODEL CODING

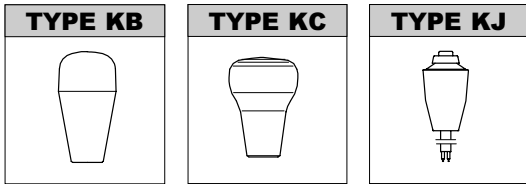


PR SVM SERIES TECHNICAL DATA

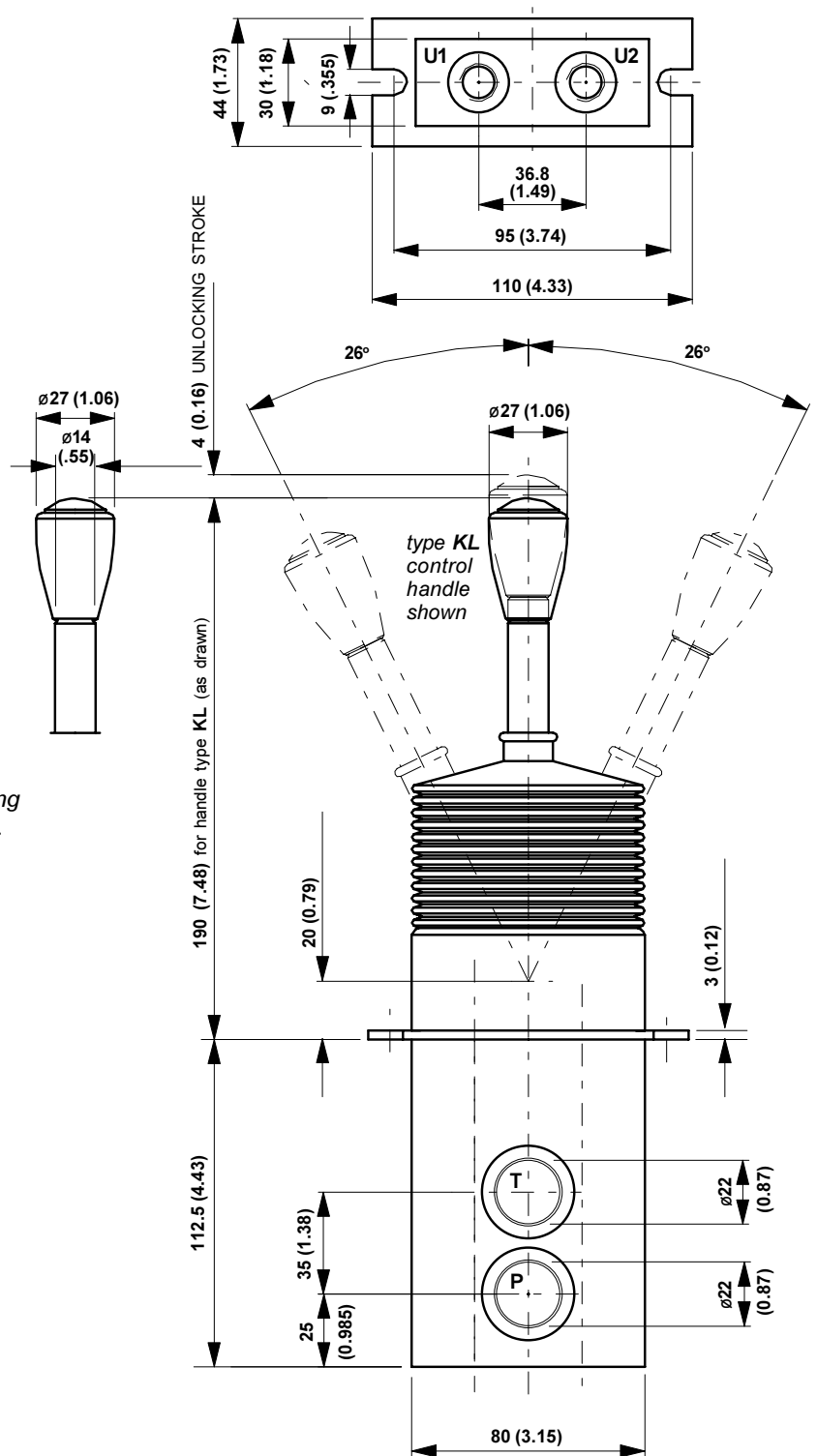
SECTIONAL PILOT CONTROL VALVES TYPE M

Sectional pilot control valves type M are particularly suitable for those applications where it is necessary to reduce to a minimum installation dimensions, even when a relatively high number of services has to be controlled. Sectional pilot control valves type M are extremely flexible: a wide range of control levers is available for any model: single units with assembly kit or multiple units fully assembled can be supplied; easy modification from one model to another by replacing some of the parts mounted on the lever mechanism, within the rubber cover.

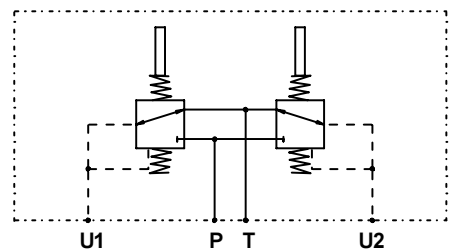
Type M control valves may be fitted with the following knob types. For details see the **Handles** catalogue.



plus type KL as shown on main drawing



HYDRAULIC CIRCUIT DIAGRAM



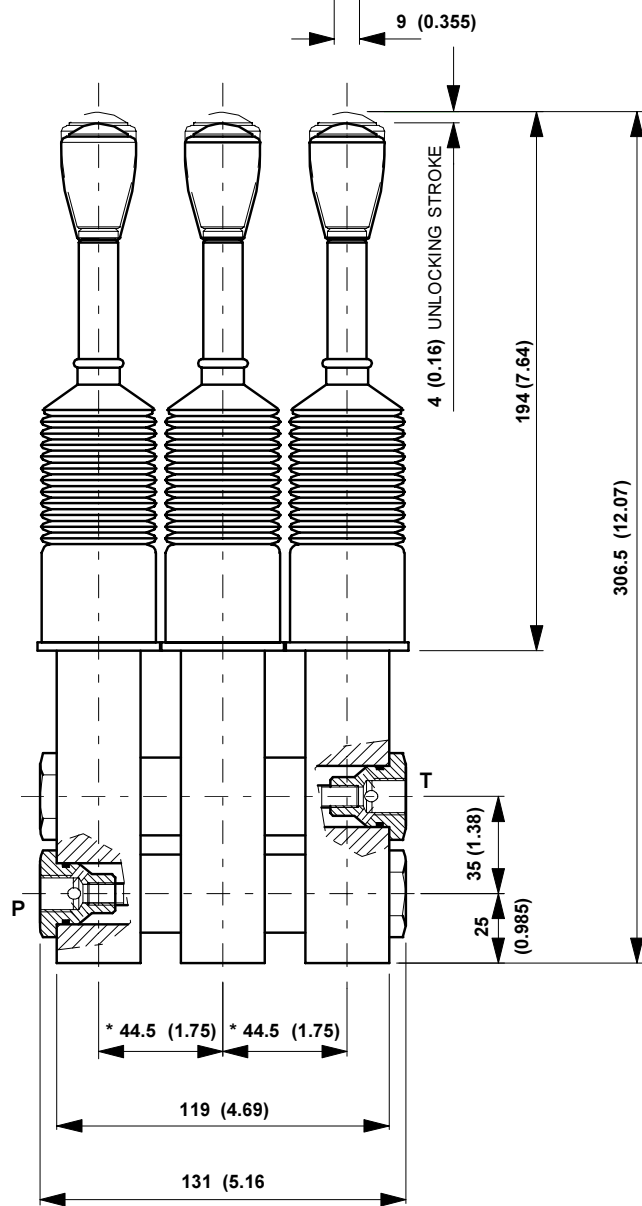
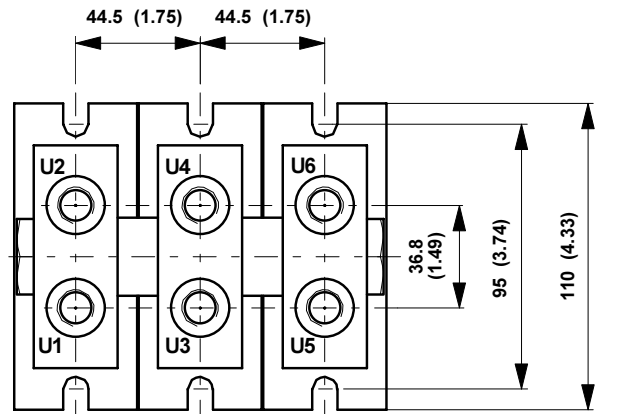
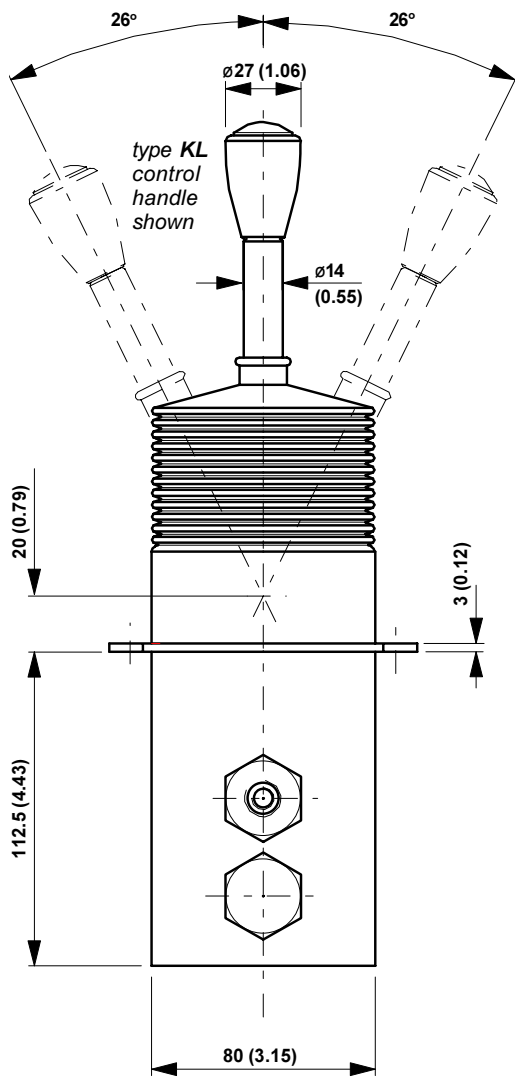
PR SVM SERIES TECHNICAL DATA

SECTIONAL PILOT CONTROL VALVES TYPE M

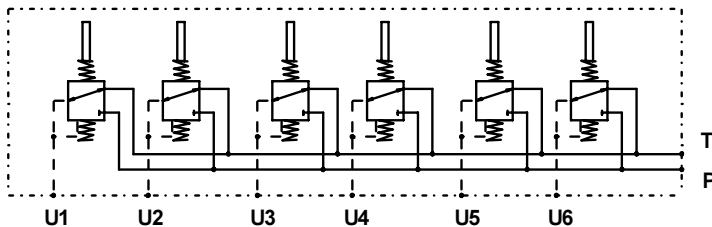
* Special centre-line distances of 60mm and 80mm are also available.

Angled levers are available to customer specifications as are levers of varying heights.

For details please see your David Brown Hydraulics representative.



HYDRAULIC CIRCUIT DIAGRAM



Global Hydraulics combines the businesses of David Brown Hydraulics, Hydreco, and Powauto and supports worldwide customers with application expertise and famously reliable products.

The Global Hydraulics range includes pumps, motors, valves, pilot valves and power take offs to provide transport and mobile hydraulic solutions to customers seeking reliability combined with advanced performance. For assistance see contact information below.



CONTACT INFORMATION

AUSTRALIA

David Brown Engineering & Hydraulics Pty Ltd
Unit 1A/167 Prospect Highway
Seven Hills,
NSW, 2147
Tel: +61 2 9838 6800
Fax: +61 2 9838 6899
E-mail: sales@powauto.com.au

DANMARK

David Brown Hydraulics Danmark A/S
Fuglebækvej 3d
DK-2770 Kastrup
Tel: +45 32 51 40 15
Fax: +45 32 51 20 22
E-mail: david-brown@david-brown.dk

FINLAND

David Brown Hydraulics OY
Vanha talvitie 3C
FI-00580 Helsinki
Tel: +358 9 3424 120
Fax: +358 9 3424 1236
E-mail: sales@davidbrownhydraulics.fi

DEUTSCHLAND

David Brown Hydraulics Deutschland GmbH
c/o Benzler TBA BV, Jackthavenweg 2
NL-5928 NT Venlo
The Netherlands
Tel: +31 77 32020 95
Fax: +31 77 32459 01
E-mail: davidbrown@t-online.de

ITALIA

David Brown Hydraulics Italia S.r.l.
Via del Costruttore, 64
41058 Vignola - MO
Tel: +39 059 7700411
Fax: +39 059 7700425
E-mail: dbhitalia@dbhsl.com

NORWAY

David Brown Benzlers AS
Stromsveien 312
Postboks 73 Leirdal
Oslo 1008
Tel: +47 22 90 94 10
Fax: +47 22 90 94 11
E-mail: post@dbhsl.com

USA

Hydreco Inc.
1500 Continental Blvd Ste Z
Charlotte
NC 28273-6376
Tel: +1 704-295-7575
Fax: +1 704-295-7574
E-mail: sales@hydreco.com

UK

David Brown Hydraulic Systems Limited
32 Factory Road
Poole
Dorset
BH16 5SL
Tel: +44 (0) 1202 627500
Fax: +44 (0) 1202 627555
E-mail: info@dbhsl.com

WEBSITES

David Brown Hydraulics:
www.davidbrownhydraulics.com

Hydreco:
www.hydreco.com

Powauto:
www.powauto.com.au