

## Technology for Innovators

Custom made motion solutions for mobile applications



## Hydreco Hydraulics Press Kit 2022

**bauma**

Booth 418 - Hall A4



[hydreco.com](https://www.hydreco.com)

**HYDRECO HYDRAULICS – A MEMBER OF DAIKIN GROUP – EXHIBITS  
AT BAUMA IN MUNICH**

The company of the Diplomatic Group, specialized in the design and production of motion solutions for mobile operating machines, will be presenting its new products at the Bauma show to be held in Munich, Germany, from 24 to 30 October 2022 (stand 418, hall A4).

Poole, UK, October 13<sup>th</sup>, 2022 - At the Bauma trade fair for construction and mining machinery in Munich, Germany, Hydreco Hydraulics will be exhibiting in **Hall A4, stand 418**, featuring the skills of the companies that make up the Diplomatic Group: Diplomatic MS, Continental Hydraulics, Hydreco Hydraulics and Till Hydraulik, united under the leadership of Daikin Industries since last July 1<sup>st</sup>.

Hydreco Hydraulics will showcase its integrated motion control solutions, which include the new range of MS Series directional control valves, the new MHC multifunction ergonomic handle and other products, such as customized hydraulic cylinders.

Also on display are the most recent developments of external gear pumps made in the new production site in Parma, Italy as well as the new series of cartridge valves.

The Diplomatic Group is strengthening its presence in the German area thanks also to the recent acquisition of the company Till Hydraulik - specialized in the production of microhydraulics as well as of hydraulic cylinders for mobile applications - which in 2022 celebrates its 60th anniversary. The Group's commitment to this market includes the recent release of the website [www.hydreco.com](http://www.hydreco.com) and of the technical and product documentation in German, to offer greater proximity and improved service to customers in this geographical area.

*"Bauma is the reference fair for us in Europe for the construction and mining sector. In Munich we have the opportunity to present our innovations, take care of customers, meet again the operators and have a discussion on the needs of the manufacturers and on the solutions we are able to develop for them",* said Simone Bulleri, Mobile Technical Director of Hydreco. *"I find particularly interesting the new technologies that are presented at the fair, the application of which embraces the entire value chain. This is in fact the right opportunity to acquire innovative perspectives also on sustainability issues",* concluded Bulleri.

Bauma is also the showcase of the integration with Daikin. *"Hydreco is now part of Daikin Industries. This new path is a significant step in our growth history and represents an extraordinary opportunity to integrate the strengths and skills of Diplomatic, Hydreco, Continental and Till",* said Katie McColl, CEO of Hydreco Hydraulics and Continental Hydraulics.

The Hydreco team is available for meetings with customers, interested parties and with the press at **stand 418, hall A4**.

\*\*\*

Hydreco Hydraulics, based in Poole, UK, was acquired in 2019 by the Diplomatic MS Group, of Parabiago (Milan, Italy). The Group has a turnover of 147 million euros and over 650 employees. Hydreco Hydraulics has a long and significant heritage in the world of hydraulic components: for over a hundred years it has been designing, manufacturing, and distributing products for the transport and mobile hydraulics sector: with offices and plants in Italy, Norway, Germany, USA, India, and Australia, Hydreco has a worldwide production and sales network. [www.hydreco.com](http://www.hydreco.com) **Press info:** Sara Bernardelli, [s.bernardelli@diplomatic.com](mailto:s.bernardelli@diplomatic.com)

PRESS RELEASE 6/2022

## HYDRECO HYDRAULICS – JETZT EIN MITGLIED VON DAIKIN GROUP – STELLT SICH AUF DER BAUMA IN MÜNCHEN AUS

Das auf die Entwicklung und Herstellung von Bewegungslösungen für mobile Arbeitsmaschinen spezialisierte Unternehmen der Diplomatic Group, präsentiert seine neuen Produkte auf der Weltleitmesse Bauma, die vom 24. bis 30. Oktober 2022 in München stattfindet (Stand 418, Halle A4).

Poole, Großbritannien, 13. Oktober 2022 - Auf der Bauma, Weltleitmesse für Bau- und Bergbaumaschinen in München, Deutschland, präsentiert sich Hydreco Hydraulics als Aussteller in **Halle A4, Stand 418**, und stellt die Kompetenzen der Unternehmen der Diplomatic-Gruppe vor: Diplomatic MS, Continental Hydraulics, Hydreco Hydraulics und Till Hydraulik, vereint unter der Führung von Daikin Industries seit dem 1. Juli 2022.

Das Unternehmen wird seine integrierten Bewegungssteuerungslösungen vorstellen, zu denen seine neue Baureihe von Wegeventilen, die MS-Serie, der neue ergonomische Multifunktions-Joystick MHC und andere Produkte, wie z.B. die kundenspezifischen Hydraulikzylinder, gehören.

Hydreco präsentiert auf der Bauma auch die neue Baureihe von Einbauventilen und die neuesten Entwicklungen der Außenzahnradpumpen, die in der neuen Produktionsstätte in Parma, Italien, hergestellt werden.

Die Diplomatic-Gruppe stärkt ihre Präsenz im deutschen Raum auch dank dem kürzlich erfolgten Erwerb des Unternehmens Till Hydraulik – spezialisiert auf die Herstellung von Mikrohydraulik sowie von Hydraulikzylindern für mobile Anwendungen – das 2022 sein 60. Jubiläum feiert. Das Engagement der Gruppe für diesen Markt umfasst die kürzlich erfolgte Veröffentlichung der Website [www.hydreco.com](http://www.hydreco.com) und der technischen und Produktdokumentation in deutscher Sprache, um den Kunden in diesem geographischen Gebiet näher zu sein und einen verbesserten Service zu bieten.

*"Die Bauma ist für uns in Europa die Referenzmesse für die Bau- und Bergbaubranche. In München haben wir die Möglichkeit, unsere Innovationen vorzustellen, Kunden zu betreuen, die Betreiber wieder zu treffen und uns über die Bedürfnisse der Hersteller und die Lösungen, die wir für sie entwickeln können, austauschen",* sagte Simone Bulleri, Mobile Technical Director von Hydreco. *Besonders interessant finde ich die neuen Technologien, die auf der Messe vorgestellt werden und deren Anwendung die gesamte Wertschöpfungskette umfasst. Das ist in der Tat die richtige Gelegenheit, um innovative Perspektiven auch zu der Nachhaltigkeitsthemen zu gewinnen",* so Bulleri abschließend.

Auf der Bauma wird der Hydreco-Stand seine Zugehörigkeit zur Daikin-Welt deutlich machen. *"Hydreco ist jetzt Teil von Daikin Industries. Dieser neue Weg ist ein bedeutender Schritt in unserer Wachstumsgeschichte und stellt eine außergewöhnliche Gelegenheit dar, die Stärken und Fähigkeiten von Diplomatic, Hydreco, Continental und Till zu integrieren",* so Katie McColl, CEO von Hydreco Hydraulics und Continental Hydraulics.

Das Team Hydreco steht an **Stand 418 in Halle A4** für Gespräche mit Kunden, Interessenten und der Presse zur Verfügung.

\*\*\*

Hydreco Hydraulics, mit Sitz in Poole, GB wurde 2019 von der italienischen Diplomatic MS Gruppe akquiriert. Der Gruppenumsatz beträgt 147 Millionen Euro mit mehr als 650 Mitarbeitern. Hydreco Hydraulics hat eine lange und bedeutende Geschichte in der Welt der Hydraulikkomponenten: Seit über 100 Jahren werden Produkte für den Transport- und Mobilsektor entwickelt, hergestellt und geliefert. Mit Niederlassungen und Werken in Italien, Deutschland, Norwegen, USA, Indien und Australien verfügt Hydreco über ein weltweites Produktions- und Vertriebsnetzwerk [www.hydreco.com](http://www.hydreco.com)

Press info: [sbernardelli@hydreco.com](mailto:sbernardelli@hydreco.com)

**HYDRECO HYDRAULICS – ORA PARTE DI DAIKIN GROUP - ESPONE AL  
BAUMA DI MONACO DI BAVIERA**

L'azienda del Gruppo Diplomatic, ora parte di Daikin Industries, specializzata nella progettazione e produzione di soluzioni per il controllo del movimento per macchine operatrici mobili, presenterà le novità alla fiera Bauma, in programma a Monaco di Baviera, Germania, dal 24 al 30 ottobre 2022 (stand 418, pad. A4).

Poole, UK, 13 ottobre 2022 – Alla fiera Bauma per le macchine da costruzione e minerarie di Monaco di Baviera, Hydreco Hydraulics sarà presente come espositore nel **padiglione A4, stand 418**, presentando le competenze delle realtà che compongono il gruppo Diplomatic: Diplomatic MS, Continental Hydraulics, Hydreco Hydraulics e Till Hydraulik, unite sotto la leadership di Daikin Industries dallo scorso 1° luglio.

Hydreco Hydraulics mostrerà le proprie soluzioni integrate per il controllo di movimento, che includono la nuova gamma di valvole di controllo direzionali serie MS, la nuova impugnatura ergonomica multifunzione MHC e altri prodotti, come i cilindri oleodinamici customizzati.

In mostra anche i più recenti sviluppi delle pompe a ingranaggi esterni, realizzate nel nuovo sito produttivo di Parma, e la nuova serie di valvole a cartuccia.

Il gruppo Diplomatic sta rafforzando la propria presenza nell'area tedesca grazie anche alla recente acquisizione dell'azienda Till Hydraulik, specializzata nella produzione di microidraulica e di cilindri oleodinamici per il settore mobile, che nel 2022 celebra il 60° anniversario. L'impegno del gruppo in questo mercato include il recente rilascio del sito web [www.hydreco.com](http://www.hydreco.com) e della documentazione tecnica e di prodotto in lingua tedesca, per offrire una maggiore vicinanza e un migliore servizio ai clienti di questa area geografica.

*“Bauma è la fiera di riferimento per noi in Europa per il settore delle costruzioni e del mining. A Monaco abbiamo l'opportunità di presentare le nostre innovazioni, prenderci cura dei clienti, incontrare nuovamente gli operatori del settore e avere un confronto sulle esigenze dei costruttori e sulle soluzioni che siamo in grado di sviluppare per loro”,* ha affermato Simone Bulleri, Mobile Technical Director di Hydreco. *“Trovo particolarmente interessanti le nuove tecnologie che vengono presentate in fiera, la cui applicazione abbraccia l'intera catena del valore. Questa è infatti l'occasione giusta per acquisire prospettive innovative anche sui temi della sostenibilità”,* ha concluso Bulleri.

A Bauma lo stand Hydreco renderà evidente l'appartenenza al mondo Daikin. *“Hydreco è ora parte di Daikin Industries. Questo nuovo percorso è un passaggio significativo nella nostra storia di crescita e rappresenta una straordinaria opportunità di integrazione dei punti di forza e delle competenze di Diplomatic, Continental, Hydreco e Till”,* ha detto Katie McColl, CEO di Hydreco Hydraulics e Continental Hydraulics.

\*\*\*

Hydreco Hydraulics - con sede a Poole, in Gran Bretagna, è una realtà acquisita nel 2019 dal Gruppo Diplomatic MS di Parabiago (MI) che ha un giro d'affari di 147 milioni di euro e oltre 650 dipendenti. Hydreco Hydraulics ha una lunga e significativa tradizione nella componentistica oleodinamica: da oltre cento anni progetta, produce e distribuisce prodotti per il settore dei trasporti e dell'oleodinamica per il settore mobile: con sedi in Italia, Norvegia, Germania, USA, India e Australia, Hydreco dispone di una rete mondiale di produzione e vendita. [www.hydreco.com](http://www.hydreco.com) Press info: Sara Bernardelli, [s.bernardelli@diplomatic.com](mailto:s.bernardelli@diplomatic.com)

## Hydreco MHC Handle

MHC (Multifunction Handle Control) is the most recent outcome of the Hydreco range. Its strong and robust design in Polyamide PA6 enriched with glass fiber makes it suitable for harsh and heavy duty environment and for all that applications where long life and reliable components are needed. Its ergonomic shape, tilted 35° forward, has been designed to fit operators hands, making their job more comfortable due to its smart grip along the handle length.

It can be customized mounting the all the controls belonging to the Hydreco range, such as rocker switch, HYRP proportional roller, mini-joystick, switches and so on.

It can be left hand or right hand, with tilting options to improve the ergonomic feeling of operators; also, it can be equipped with a capacitive sensor to detect the presence of the operator and with the new reliable electronic architecture that make it suitable for standalone CAN bus application.



**MHC Handle**



Press info: Sara Bernardelli,  
sbernardelli@hydreco.com

## Hydreco MS Series

MS series are central bypass, 6-way, open-center directional control valves for mobile application. The range is designed to provide uncompromising performance with a wide range of configurations and options to meet all the customers' needs.

### TECHNICAL FEATURES - MS90/120

- Compact and Modular construction: a single pump can supply from 1 to 12 services.
- Max Pressure: 350 bar.
- Max Flow Rate: 60 l/min (MS 60), 90 l/min (MS 90) and 120 l/min (MS 120).
- Spools: (single/double-acting, working ports locked or open in neutral, 4th floating pos.)
- Spool controls: electrohydraulic proportional, hydraulic proportional, lever controls

**COMING SOON:**

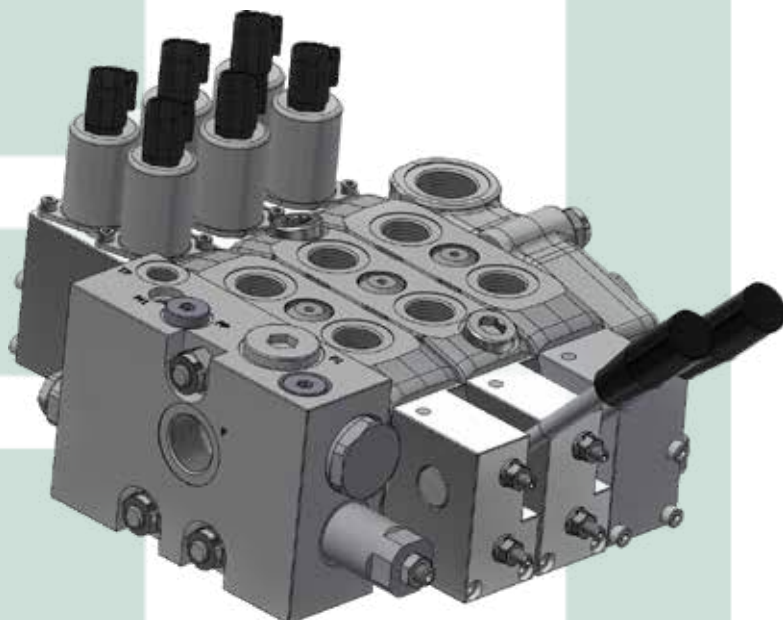
MS 60



AT

**bauma**

**MS Series**



Press info: Sara Bernardelli,  
sbernardelli@hydreco.com

**Hydreco Hydraulics**

## Hydreco HY Gear Pumps and Motors

The HY new range of gear pumps and motors is the result of the experience and knowledge acquired over many years of engineering and manufacturing that made Hydreco very well known for the performance and the reliability of its gear pumps series.

The HY series is provided with an aluminium alloy housing, two gear wheels supported by sleeve bearings and cast iron flange and cover. Available as pumps and motors, the series offers high efficiency and can be applied in standard and heavy duty application, thanks to the high reliability and the accuracy of the design and production.

The pumps can be supplied as single, or as multiple units with a huge variety of options on flanges, shafts and ports, providing the right setup on each application. Feel free to contact Hydreco representative to find out more and get the proper support in your selection.

### DISPLACEMENT (HY1+HY3)

From 1 to 63 cm<sup>3</sup>/rev [from 0.06 to 3.84 in<sup>3</sup>/rev]

### PRESSURE

Max continuous 260 bar (3770 psi)

Max intermittent 290 bar (4200 psi)

Max peak 310 bar (4500 psi)

### MAX SPEED

4000 rpm

### HY Gear Pumps and Motors



### ALREADY AVAILABLE:

Group 1 and group 2 pumps and motors in multiple configuration

Group 2 low noise version

Group 2 with cast iron body

Group 3  AT **bauma**

### COMING SOON:

Group 3 with cast iron body

Press info: Sara Bernardelli,  
sbernardelli@hydreco.com

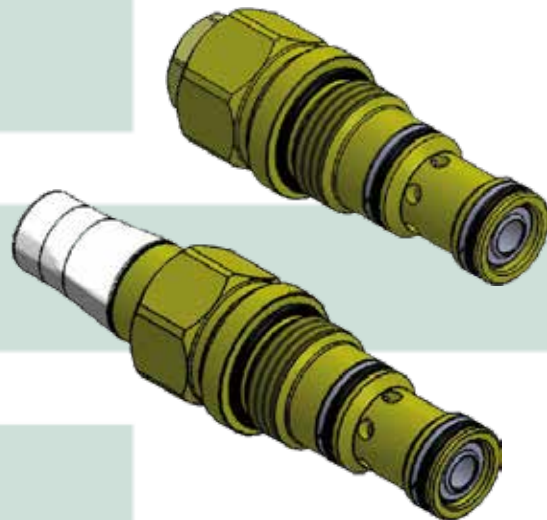
## Hydreco KCB Valves

They control the movement of a hydraulic actuator (cylinder or motor), specifically:

- Safe locking of actuator with directional valve in idle position (or with pump stopped).
- Controlled movements of the actuator when the load is descending. Due to the presence of the pilot line, the velocity of the actuator is always due to the flow rate from the pump, even in the case of dragging load, cavitation phenomena that can cause serious accidents due to loss of control are avoided.
- They limit the maximum pressure in the service due to any shocks, overloads or abrupt maneuvers.
- They allow free rise of the load thanks to a built-in one-way valve.



**KCB Valves**



Press info: Sara Bernardelli,  
sbernardelli@hydreco.com



## Hydreco Mini EPVJ Joystick

Hydreco is pleased to introduce a new range of EPVJ Mini Joystick.

Among the wide variety of electrical controls for all kinds of mobile applications, the new-born EPVJ Joystick made in Italy features a new technology based on reliable REED magnetic switch (neodymium magnet) and four ON-OFF functions as standard.

Mini-EPVJ version is available to fit smaller space for armrest and console mounting, preserving strong mechanical structure and high reliability.

This is a solution for heavy duty applications in agriculture (small tractors for vineyards, orchards, and fruit/vegetable pick up) and forestry (firewood processors).

Electric and magnetic technology for a longer life and perfect operation in outdoor conditions.

**Mini EPVJ  
Joystick**



Press info: Sara Bernardelli,  
[sbernardelli@hydreco.com](mailto:sbernardelli@hydreco.com)

## Hydreco MDC Joystick

The MDC Joystick is an electro-proportional solution for the most sophisticated needs in multiple sectors: agriculture (telehandlers, tractors, special vehicles/attachments, ...), construction (mobile cranes, special excavators), forestry (timber cranes), material handling (loaders, reach stackers, fork lift trucks) and municipal (loaders and snow tracks).

This model of joystick provides machine manufacturers with a robust, hard wearing solution as it features a PA66 body with glass fibre and a strong mechanical structure for long operating life. It operates between -40 and +85 °C (-40÷185°F) and it features an IP65 protection.

The MDC joystick is available also on single axis execution and it can be configured as crossed version (combined movements inhibited).

Its electronics is based on SMD Hall effect technology, a well proven and very reliable solution.

The joystick layout provides long life operation, with an extremely robust design of the mechanical components, as well as an accurate development of the electronics. Voltage supply is between 9 and 32VDC.

It features closed-loop digital controlled outputs and the output versions include 0÷5V, PWM, CAN bus, Ratiometric. It is a user-friendly device, with the possibility of setting up the main parameters through a simple software interface provided by Hydreco.

**MDC  
Joystick**



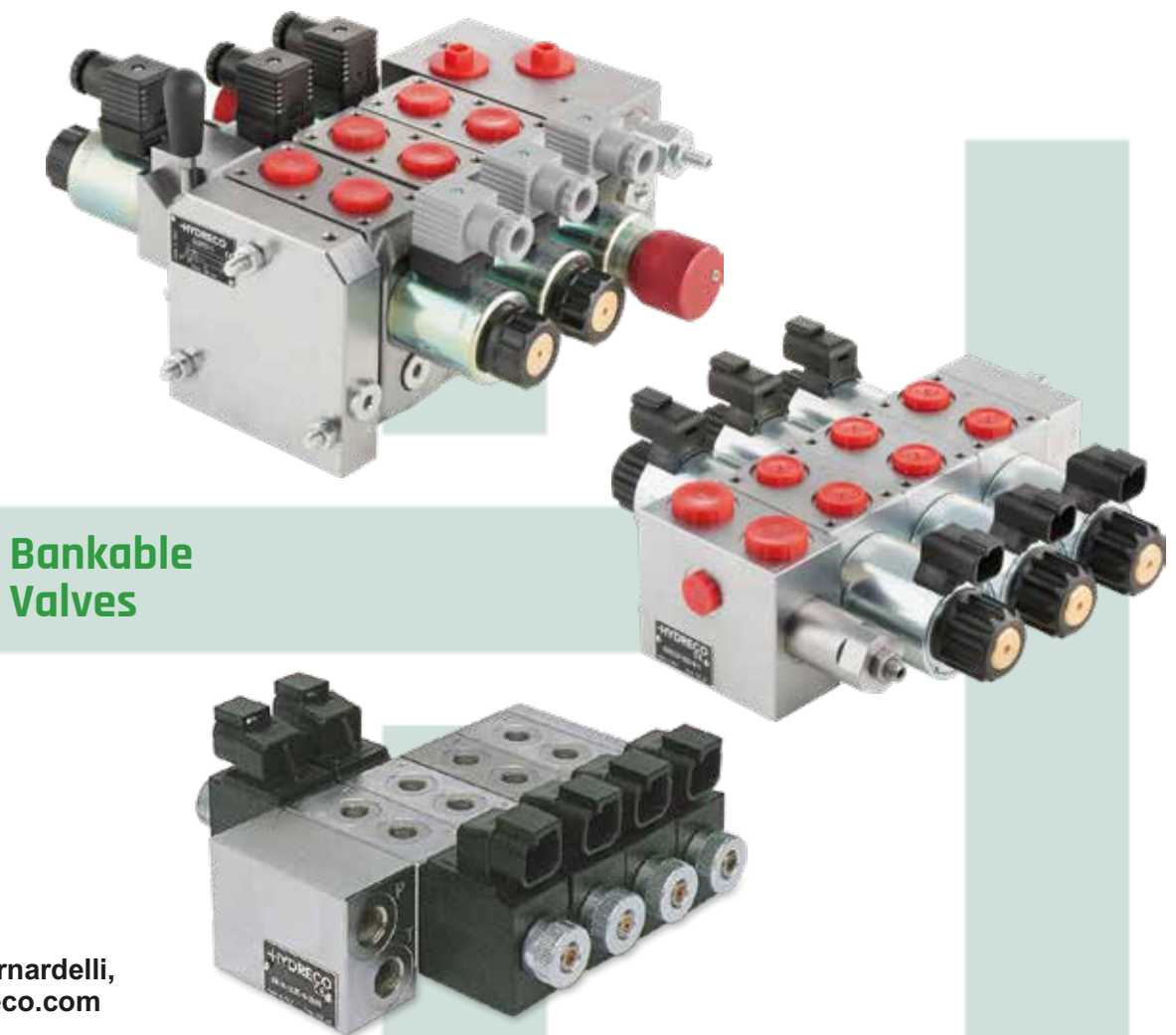
Press info: Sara Bernardelli,  
sbernardelli@hydreco.com

## Hydreco SD-SDN-SLSE Bankable Valves

Hydreco is pleased to introduce the range of bankable valves. The range represents the answer to the demand of a compact but effective solution on the bankable valves side of applications.

With a flow capacity from 15 l/min to 60 l/min and the possibility of assembling up to eight working sections - with a significant variety of options – the bankable valves are the right “device” for many applications, where flexibility and compactness are a must.

With the maximum operating pressure at 320 bar, the range of SDN, SD and SLSE bankable valves is at your side to implement the solution that empower your application.



**Bankable  
Valves**

Press info: Sara Bernardelli,  
sbernardelli@hydreco.com

**Hydreco Hydraulics**

## Hydreco Remote Controls

Hydreco Hydraulics provides an extensive range of hydraulics remote controls. From the dual axis joystick (available in 2 versions to match all the needs of various applications) to the single axis device (usable also in the modular version with many options on board). The range includes also monoblock pilot valves, particularly suitable in the most demanding environment, foot pedals, available in various configurations and layouts, as well as supply units, configurable with 2 or 3 ways selector - 12/24VDC solenoid.

All devices can be supplied with more than 200 metering curves for the optimal regulation of the main controls (Directional Control Valves and/or Hydrostatic Transmission).

Hydreco is happy to support customer's request with tailor made solutions, based on our experience and the wide range of available solutions.



Press info: Sara Bernardelli,  
sbernardelli@hydreco.com

# Hydreco Hydraulics Cylinders

Our challenge is shaping our customers' projects, being flexible and effective in providing the right solution.

## TECHNICAL FEATURES

- Bore up to 500mm and length up to 8000mm
- Working pressure up to 450 bar and testing up to 650 bar
- Special materials upon request
- Special treatments and finishing for harsh environments
- Internal transducer equipped
- On board control valves



**Hydraulics Cylinders**

Press info: Sara Bernardelli,  
sbernardelli@hydreco.com

## Hydreco Handles

Hydreco Hydraulics is able to supply several types of multifunction ergonomic handles.

The concept at the base of Hydreco proposal is the easy of operation for the customers, thanks to the attention to the design and the proper fit for the operator.

The 3 models (MFE, MFE2 and EXM) can host many different devices with multiple possibilities on the configurations side. Also, logic boards can be built in, providing additional power without compromising ergonomic and/or cabin space. Capacitive sensors are also available to provide an effort free experience and a significant advantage to the operators. Tailor made solution is the key feature of our handles range, completed by knobs and straight command for the simplest needs.



Press info: Sara Bernardelli,  
sbernardelli@hydreco.com

**Hydreco Hydraulics**

 [www.hydreco.com](http://www.hydreco.com)  [hydreco-hydraulics](https://www.linkedin.com/company/hydreco-hydraulics)

## Hydreco WSP Pumps

Hydreco new range of WSP cast iron gear pumps has been designed to deliver an incredible output pressure up to 350 bars. The WSP range can clearly respond to the most demanding application, wherever you are.

The WSP series is equipped with a cast iron body and flanges. Thanks to their high reliability and precision in design and manufacturing, these pumps guarantee a long-life expectancy. Available as both single and multiple pumps, these pumps provide a wide variety of options on flanges, shafts and ports, providing the right configuration for every application.

### **DISPLACEMENT (WSP40 + WSP50)**

From 12 to 88 cm<sup>3</sup>/rev [from 0.73 to 5.37 in<sup>3</sup>/rev]

### **PRESSURE**

Max continuous 350 bar (5075 psi)

Max peak 360 bar (5220 psi)

### **MAX SPEED**

Up to 3500 rpm

### **WSP Pumps**



Press info: Sara Bernardelli,  
sbernardelli@hydreco.com



### Hydreco Hydraulics

**FOUNDATION 1860**

**ACQUISITION: 2019**

#### LOCATION

> **Poole** (UK), Italy, Germany, Norway, India, Australia, USA

#### PRODUCTS

Pumps, valves, PTOs, cylinders, controls

#### SECTORS

Mobile applications



### Hydreco - Italia Srl

#### LOCATION

**Vignola** (MO),  
**Parma** (Italy)

#### PRODUCTS

Remote controls, pilot valves, direct control valves, gear pumps



### Hydreco - Srl

#### LOCATION

**San Cesario s/P**  
(MO, Italy)

#### PRODUCTS

Hydraulic cylinders



### Hydreco - Norway A/S

#### LOCATION

**Nittedal** (Norway)



### Hydreco - GmbH

#### LOCATION

**Straelen**  
(NRW, Germany)



### Hydreco - India LTD

#### LOCATION

**Bangalore** (India)

#### PRODUCTS

Gear pumps



### Hydreco - Pty Ltd

#### LOCATION

**Seven Hills**  
(NSW, Australia)  
**Welshpool**  
(WA, Australia)

#### PRODUCTS

PTOs, pumps, valves, controls

Press info: Sara Bernardelli,  
sbernardelli@hydreco.com



## Over 100 years of Hydraulics Experience

Hydreco Hydraulics - a member of Duplomatic Group, now part of Daikin Industries - is the designer, manufacturer and distributor of products servicing the transport and mobile hydraulics sector. Hydreco has a combined history of 100+ years in developing solutions through a rich heritage of legacy companies.

The joining of David Brown Hydraulics, Powauto and Hydreco in 1997 brought together some of the most respected products, people and heritage brands in the business. Engineering excellence is at the core of Hydreco's organization, the product range is geared towards offering the best possible solution for many applications within Construction, Earth Moving, Transport, Industrial, Materials handling, and many more.

### Outstanding performance on a global scale

Hydreco's entry into Duplomatic Group in 2019 has resulted in a strong synergy between the two organizations, strengthening the Group's ability to provide tailored solutions for a wide range of applications in the mobile and industrial sectors.

### Advanced Hydraulic Technologies

Hydreco Hydraulics has an extensive range of low noise helical gear, aluminium and cast iron gear pumps, as well as standard spur gear models. Its valve range covers the complete portfolio of Duplomatic Motion Solutions products, multi-spool sectional and monoblock models with electro-hydraulic, hydraulic and lever control and manifold system solutions.

Dual axis, stackable, and single axis hydraulic pilot valves are also available with an extensive range of handle options including ergonomic handles with many switches and button options. Hydreco is also capable to produce tailor made hydraulic cylinders, with an extensive range of pores, lengths and options.

The Group also provides a range of electronic devices for the complete control of mobile vehicles.

### Hydreco Hydraulics daily mission

Hydreco Hydraulics can demonstrate a proven ability to meet the needs of customers and to support world leaders in their individual fields.

Press info: Sara Bernardelli,  
sbernardelli@hydreco.com

# HYDRECO

a member of **DAIKIN** group

**DIPLOMATIC**  
MOTION SOLUTIONS

a member of **DAIKIN** group



**CONTINENTAL**  
**HYDRAULICS**

a member of **DAIKIN** group



[hydreco.com](http://hydreco.com)