

Technical Data Sheet



CK165 TCU CONTROL KITS

Electric/Vacuum Control

This manual switch control, CK165, is designed to operate a vacuum shift PTO via a dash mounted rocker switch activating a remotely mounted solenoid valve.

This is a practical design for today's cabs for the operator on a limited budget.

With a lockable rocker switch the CK165 system provides easier installation with no airlines required in the cabin and no damage to truck dashboards.

Product Features

- **Pre Packaged System Kit**
Provides ease of installation.
- **Compact Design**
No Unsightly "bolt ons" in a new cab.
- **IP66 Rating**
Ensuring operation in all conditions.

POWAUTO

DAVID BROWN
HYDRAULICS

HYDRECO®

HYDRECO
POWAUTO
ADVANCED HYDRAULIC TECHNOLOGIES



www.hydreco.com

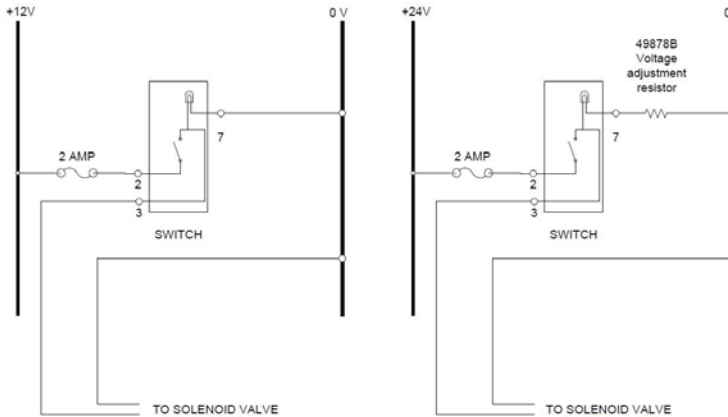
Technical Data Sheet

CONTROL KIT DESIGNATION CODES

TCU Series CKI83

CK I65 Z A - 24

Connections



24V Voltage Adjustment Resistor



Identifier

CK = Control Kit

Kit Series

I65

Truck Make

- Omit = generic
- D = DAF
- F = Fuso
- H = Hino
- I = Iveco
- K = Kenworth
- U = UD
- V = Volvo
- W = Western Star
- Z = Isuzu

Variant

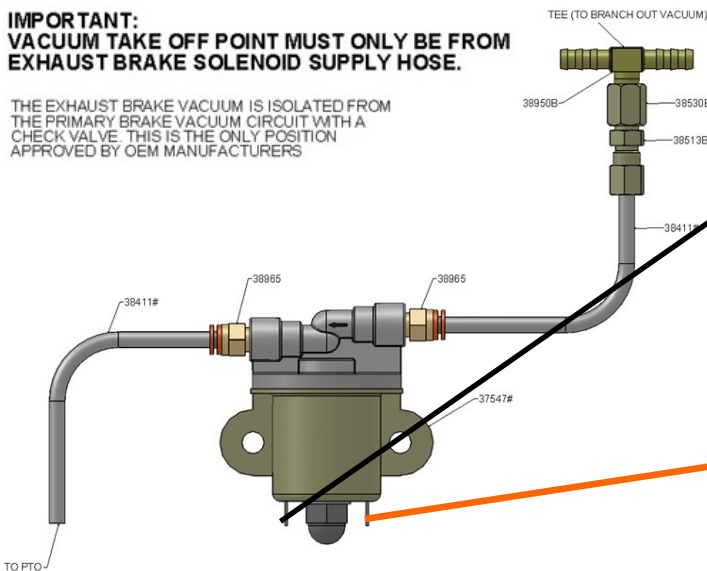
A, B, C, D etc (Omit for generic) - See eGuide for reference.

Voltage

- I2 = 12V (A for generic version)
- 24 = 24V (B for generic version)

IMPORTANT:
VACUUM TAKE OFF POINT MUST ONLY BE FROM EXHAUST BRAKE SOLENOID SUPPLY HOSE.

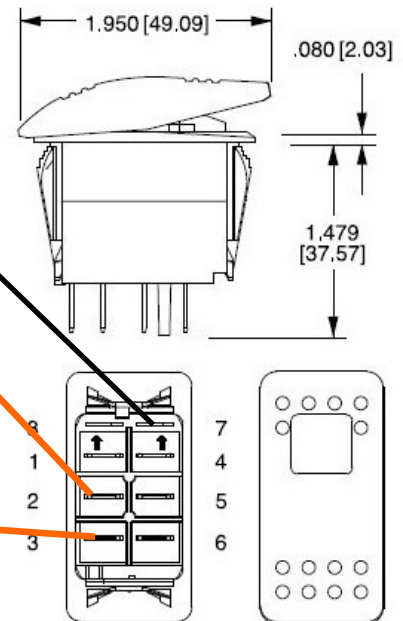
THE EXHAUST BRAKE VACUUM IS ISOLATED FROM THE PRIMARY BRAKE VACUUM CIRCUIT WITH A CHECK VALVE. THIS IS THE ONLY POSITION APPROVED BY OEM MANUFACTURERS



Terminal 7
(Black)

Terminal 2
(From Power through Fuse)

Terminal 3
(Red)



Note: The

PTO switch is a safety switch, and to operate it, the top of the orange button needs to be pulled

Doc: CKI65—06/21

POWAUTO

DAVID BROWN
HYDRAULICS

HYDRECO®

HYDRECO
POWAUTO
ADVANCED HYDRAULIC TECHNOLOGIES



www.hydreco.com