

Technical Data Sheet



CK190 SOLENOID BANKS

Electric/Pneumatic Solenoid Banks

The modular solenoid bank, CK190, allows the operator to configure all of the necessary functions to operate a trucks air-controlled hydraulics into one neat simple unit.

This is a practical design for today's cabs for the operator on a limited budget.

Ideal to be matched to our LED Switch Banks, pendant remote, radio remote or the trucks existing switches. The CK190 system provides easier installation with no airlines required in the cabin and no damage to truck dashboards.

Product Features

- **Colour coded wiring**
Makes installation easier, therefore saving money.
- **Harness terminates to bare wire**
For the user to add their own connectors. This enables use in multiple applications.
- **Pre packaged system kit**
Everything provided for installation.
- **Versatile**
Can be used with 2 spool valve or single tipper and diverter valve.
- **IP6K9K rating**
Ensuring operation in all conditions.

POWAUTO

DAVID BROWN
HYDRAULICS

HYDRECO®

HYDRECO
POWAUTO

ADVANCED HYDRAULIC TECHNOLOGIES



www.hydreco.com

Technical Data Sheet

Solenoid Direct Operated Poppet Valve - Normally Closed	
Operating Pressure	5-10 bar (72 to 145 psi)
Orifice	2.1mm
Power Consumption	8.7W (12V @ 0.73A - 24V @ 0.36A)
Protection Class	IP6K9K
Connector	2 Terminal Tyco HDSCS
Operating Temperature	-40 to 85°C Air must be dry to avoid ice formation at temperatures below 2°C
Valve Body	PA glass filled
Internal Parts	Stainless Steel
Seals	HNBR

Note: The valves are rated to a maximum air pressure of 10 Bar. It is necessary to install a pressure regulator on vehicles with a higher pressure. Operating at higher than 10 Bar will void the warranty.

CONTROL KIT DESIGNATION CODES

TCU Series CK190

CK 190 - 8 - 24

Identifier

CK = Control Kit

Kit Series

190

Solenoid Quantity

4

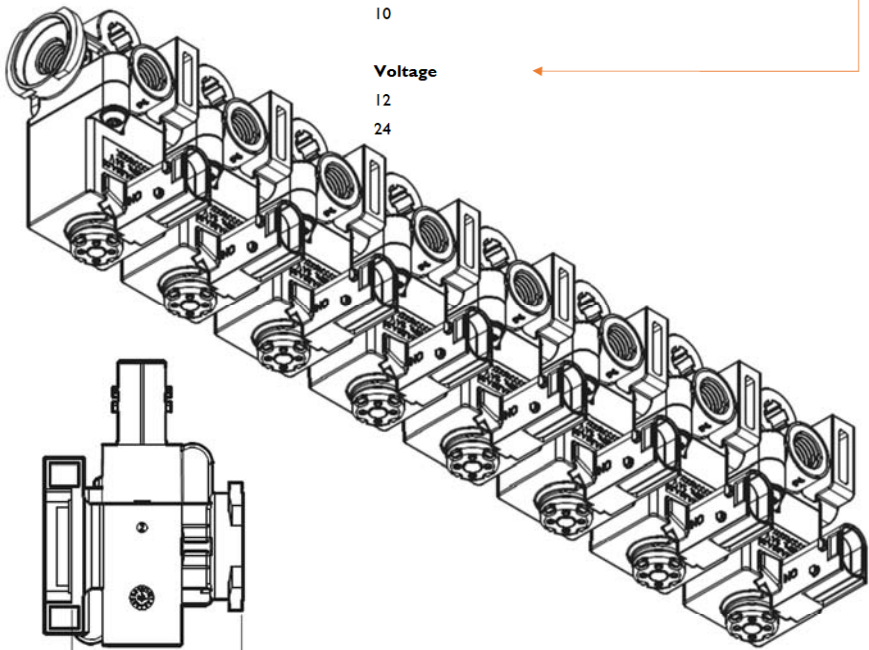
8 Other combinations available upon request

10

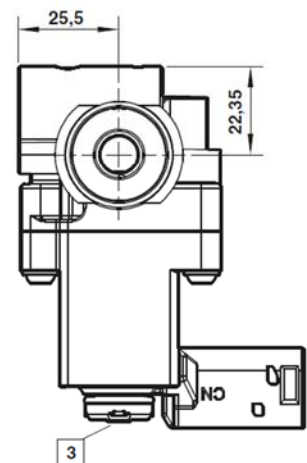
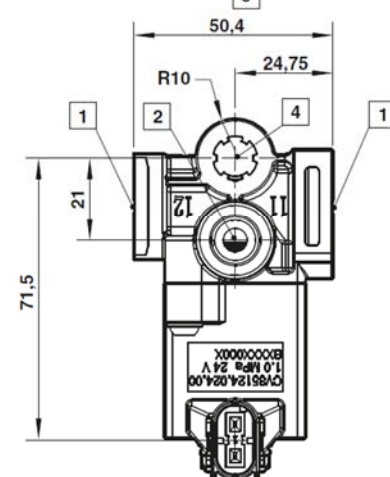
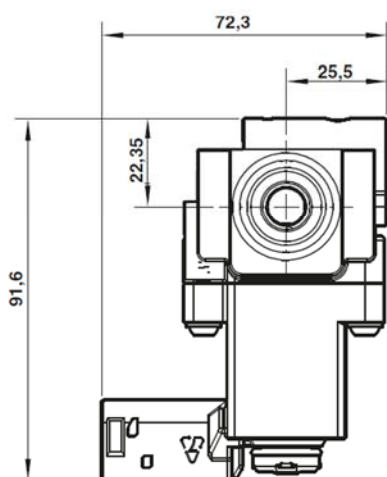
Voltage

12

24



- 1 Inline port x 2
(use either inlet port + use blanking plug in other)
- 2 Outlet port
- 3 Exhaust port
- 4 Mounting hole
- 5 Stacked option pitch dimension



Doc: CK190—04/21

POWAUTO

DAVID BROWN
HYDRAULICS

HYDRECO®

HYDRECO
POWAUTO

ADVANCED HYDRAULIC TECHNOLOGIES



www.hydreco.com