

# HPV2 SERIES

HYDRAULIC PILOT  
CONTROL



TECHNICAL CATALOGUE

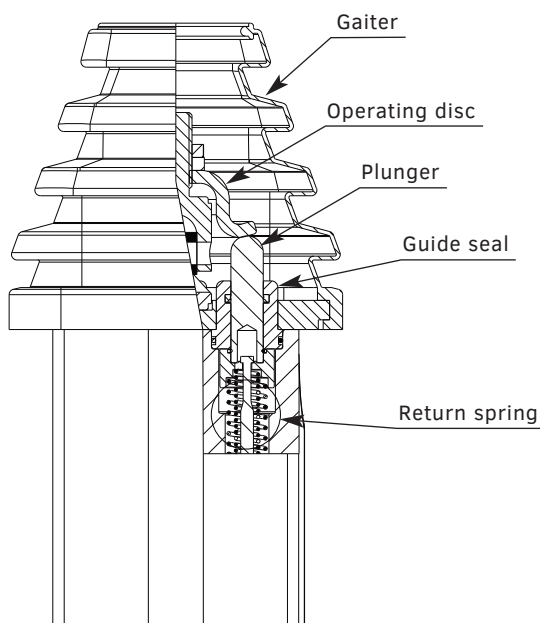
### INTRODUCTION

HPV2 Pilot Control Valves are part of the extensive range of Hydreco Hydraulics products.

This product has a new design meant to provide a comfortable and fine control for mobile and industrial machines. The pilot valve, with its single lever dual axis control, is supported by an extensive range of characteristics and handle options which make it suitable for a wide range of both mobile and industrial applications.

Our engineers can offer special support to optimise this product to suit your application.

### PARTS



### BENEFITS

- Compact and lightweight body
- Low effort control and smooth movements
- Rugged construction for long operating life
- Spare parts available upon request
- Suitable for armrest of control mounting
- Compatible with a wide range of products
- Low hysteresis, high accuracy, pressure control curves
- Wide range of electrical options in multi-functional ergonomic handles

### APPLICATIONS

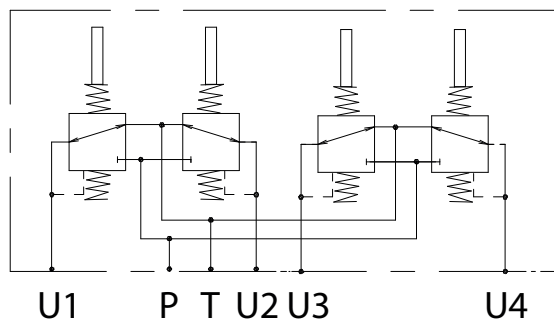
- Excavators and mini-excavators
- Cranes
- Forestry machines
- Access platforms
- Container handlers
- Tracked machines
- Skid steer loaders
- Forklift trucks

### TECHNICAL FEATURES

<b>MAXIMUM OPERATING PRESSURE</b>	inlet (P port)	50 bar	725 psi
	back (T port)	3 bar	43.5 psi
<b>CONTROL FLOW</b>	range	5 to 15 l/min	1.3 to 4 gpm
<b>MAXIMUM HYSTERESIS</b>		±0.5 bar	± 7.3 psi
<b>SERVICE PORTS</b>		1/4" BSP	9/16" UNF

<b>RANGE TEMPERATURES</b>	ambient	-20 to +54 °C	-4 to +130 °F
	fluid	-20 to +82 °C	-4 to +180 °F
<b>FLUID TYPE</b>	mineral oils ISO, HM and HV		
<b>FLUID CONTAMINATION</b>	ISO 4406:1999 class 20/18/15		

### HYDRAULIC SYMBOL (TYPICAL)



**HPV2-C01- [ ] - [ ] -S- [ ] [ ] - [ ]**

**MODEL** \_\_\_\_\_  
 HPV Hydraulic Pilot Valve

**SERIES** \_\_\_\_\_

**MODEL TYPE** \_\_\_\_\_  
 with return spring

**HANDLE STYLE** \_\_\_\_\_  
 (refer to HANDLE catalogue for complete handle options definition)

- W** Without handle
- SA** Straight handle without electric switch
- SD** Straight handle with electric switch
- SX** Straight handle with electric switch to close
- SS** Straight handle with electric switch to close and safety button
- SY** Straight handle with electric switch dual rocker type
- SZ2** Straight handle with 2 positions latched rocker
- SZ3** Straight handle with 3 positions latched rocker
- E** MFE handle series
- M** MFE2 handle series
- EX** EXM handle (multifunctional) series

Only for handle type E, M or EX:  
 5-digit handle code defined by Hydreco

**PORTS**  
 Omit for 1/4" BSP  
**S** 9/16"-18 UNF SAE6

**RETURN SPRING**  
**0** Standard: 1.2 to 2.5 daN  
**1** Medium: 1.7 to 3.2 daN

**SQUARE GAITER**

**METERING CURVES**  
 See 'curve ID' in tables at pages 4 and 5.

**S\***

**E**

**M**

**EX**



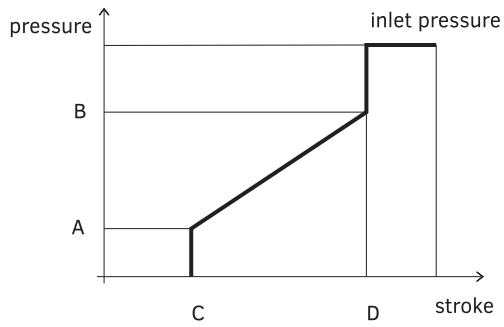
**CODE EXAMPLE:**

HPV2-C01-E015-S-0-11163

Hydraulic pilot valve series 2, return spring configuration, MFE handle, metering curve with step 015, square gaiter, standard return spring, MFE handle n. 11163:

**METERING CURVES - WITH STEP**

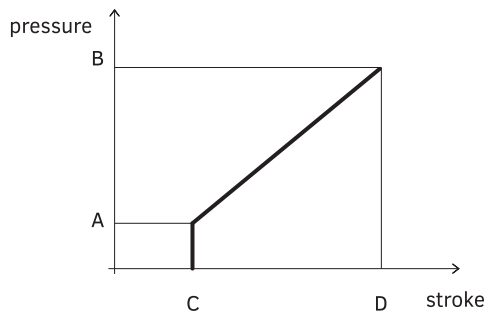
Tolerance on pressure settings  $\pm 0.5$  bar (7.25 psi). Other metering curves are available upon request.



PRESSURE (bar   psi)		STROKE (mm   in)		CURVE ID
A	B	C	D	
2.0   29.0	13.0   188.6	1   0.04	7.5   0.30	<b>045</b>
2.5   36.3	28.0   406.0			<b>080</b>
2.9   42.0	15.1   219.0			<b>078</b>
3.0   43.5	10.2   147.9			<b>051</b>
3.0   43.5	20.5   297.3			<b>121</b>
3.3   15.5	47.9   224.8			<b>041</b>
3.5   50.7	17.5   253.8			<b>062</b>
3.6   52.2	10.8   156.6			<b>048</b>
4.0   58.0	15.2   220.5			<b>019</b>
4.0   58.0	16.6   240.7			<b>201</b>
4.4   63.8	21.8   316.2			<b>126</b>
4.5   65.2	27.2   394.5			<b>108</b>
4.8   69.6	19.7   285.7			<b>018</b>
4.8   69.6	17.0   246.6			<b>117</b>
5.0   72.5	16.0   232.0			<b>026</b>
5.0   72.5	25.0   362.5			<b>109</b>
5.2   75.4	20.1   291.4			<b>106</b>
5.4   78.3	22.8   330.6			<b>015</b>
5.5   79.7	25.5   369.8			<b>139</b>
5.8   84.1	23.5   340.8			<b>082</b>
5.8   84.1	27.0   391.6			<b>115</b>
6.1   88.5	14.6   211.8			<b>209</b>
6.3   91.4	21.2   307.5			<b>043</b>
6.8   98.6	15.2   220.4			<b>100</b>
7.0   101.5	21.4   310.4			<b>081</b>
7.5   108.8	24.9   361.1			<b>136</b>
8.2   118.9	21.0   304.6			<b>044</b>

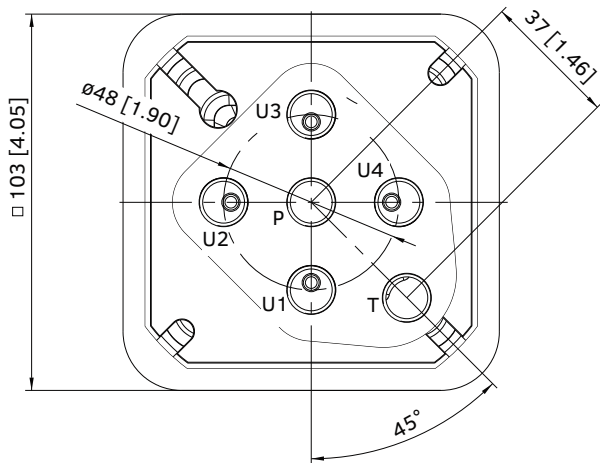
**METERING CURVES - WITHOUT STEP**

Tolerance on pressure settings  $\pm 0.5$  bar (7.25 psi). Other metering curves are available upon request.

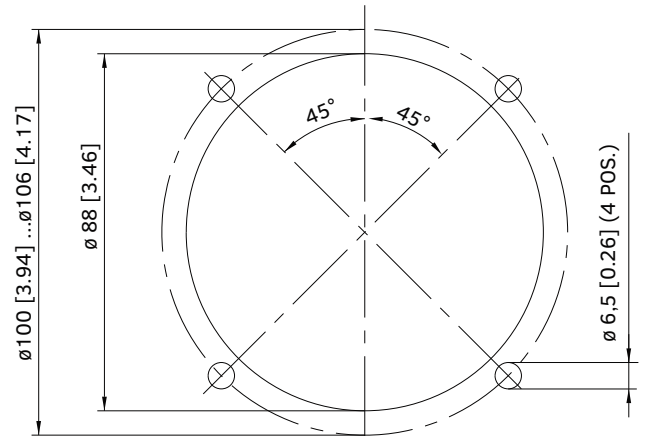


PRESSURE (bar   psi)		STROKE (mm   in)		CURVE ID
A	B	C	D	
2.3   33.4	14.5   210.3	1   0.04	8   0.31	<b>060</b>
3.0   43.5	21.5   311.8			<b>058</b>
3.1   45.0	43.5   631.0			<b>206</b>
3.2   46.4	27.4   397.4			<b>068</b>
3.5   50.8	18.6   269.8			<b>053</b>
3.6   52.2	19.2   278.5			<b>096</b>
3.7   53.7	15.8   229.2			<b>057</b>
4.2   60.9	23.2   336.5			<b>074</b>
4.8   69.6	20.5   297.3			<b>203</b>
4.8   69.6	18.0   261.0			<b>214</b>
5.0   72.5	18.8   272.7			<b>079</b>
5.3   76.9	21.0   174.0			<b>094</b>
5.4   78.3	24.4   353.9			<b>036</b>
5.5   79.7	27.0   391.6			<b>075</b>
5.9   85.6	30.1   436.6			<b>133</b>
6.0   87.0	15.2   220.5			<b>146</b>
6.9   100.1	29.7   430.8			<b>001</b>
9.0   130.6	27.5   399.0			<b>039</b>
9.1   132.0	28.0   406.1			<b>003</b>

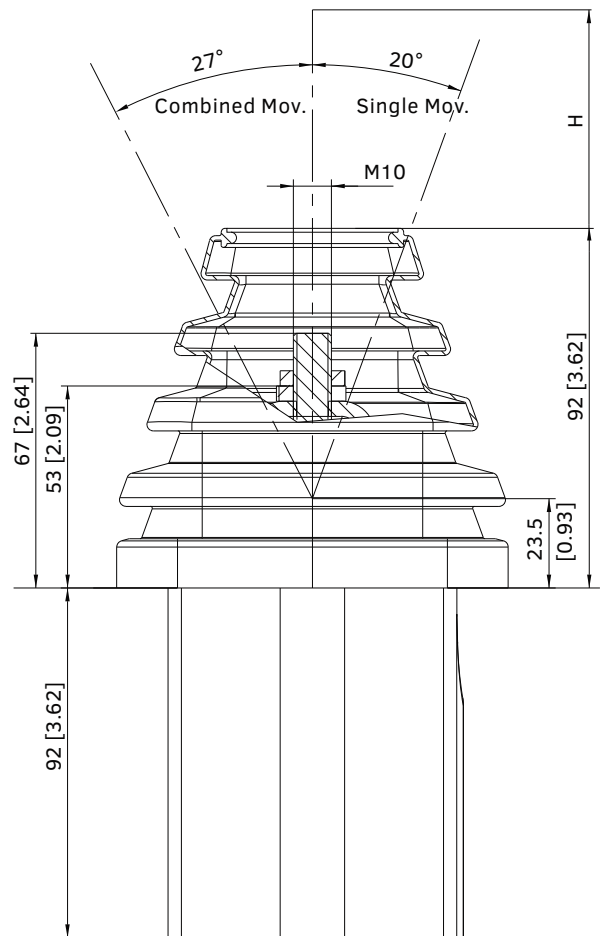
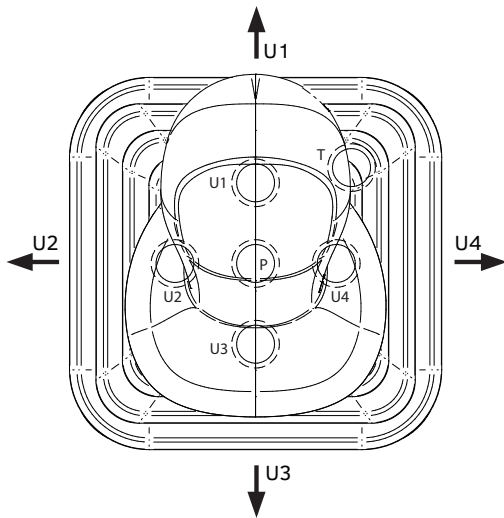
INSTALLATION AND DIMENSIONS mm[in]



FOOTPRINT



ORIENTATION OF THE PILOT CONTROL UNITS



Valve configuration	approx. weight (kg   lb)	H (mm in)
only body + gaiter	1.4   3.09	-
with S* handles	1.7   3.75	131   5.16
with MFE handles	1.7   3.75	154   6.06
with MFE2 handles	1.8   3.97	153   6.02
with EXM handles	1.6   3.53	137   5.39



Supported by a worldwide network



## CONTACT INFORMATION

### EMEA

<b>GERMANY</b>	Hydreco Hydraulics GmbH, Straelen (NRW)	☎ +49 283494303-41	✉ info-de@hydreco.com
<b>ITALY</b>	Hydreco Hydraulics Italia Srl, Vignola (MO)	☎ +39 059 7700411	✉ sales-it@hydreco.com
<b>ITALY</b>	Hydreco Hydraulics Italia Srl, Parma (PR)	☎ +39 0521 1830520	✉ sales-it@hydreco.com
<b>ITALY</b>	Hydreco Srl, San Cesario S/P (MO)	☎ +39 059 330091	✉ cylinders@hydreco.com
<b>NORWAY</b>	Hydreco Hydraulics Norway AS, Nittedal	☎ +47 22909410	✉ post-no@hydreco.com
<b>UK</b>	Hydreco Hydraulics Ltd, Poole, Dorset	☎ +44 (0) 1202 627500	✉ info-uk@hydreco.com

### AMERICAS

<b>NORTH/LATIN</b>	Hydreco Inc / Continental Hydraulics Inc, Shakopee (MN)	☎ +1 952 895 6400	✉ sales@conthyd.com
--------------------	---	-------------------	---------------------

### APAC

<b>AUSTRALIA</b>	Hydreco Hydraulics Pty Ltd, Seven Hills (NSW)	☎ +61 2 9838 6800	✉ sales-au@hydreco.com
<b>AUSTRALIA</b>	Hydreco Hydraulics Pty Ltd, Welshpool (WA)	☎ +61 8 9377 2211	✉ reception-wa@hydreco.com
<b>INDIA</b>	Hydreco Hydraulics India Private Ltd, Bangalore	☎ +91 80 67656300	✉ sales-in@hydreco.com