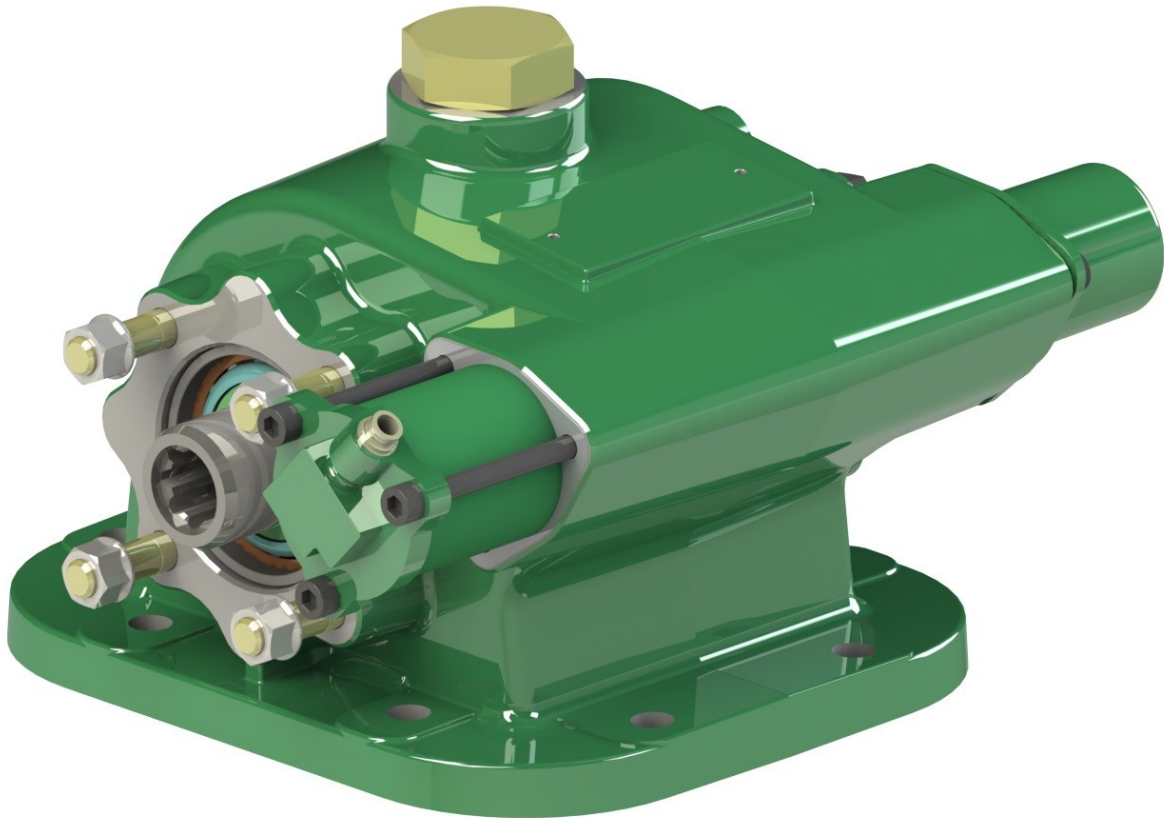


Technical Data Sheet



PA847 SERIES POWER TAKE-OFF

Single Gear 8 Bolt Side Mounted PTO

The 847 series is designed for certain Hino & Nissan/UD transmissions with an 8 bolt opening.

Utilising advanced manufacturing techniques, this product will withstand the harshest conditions for long periods.

Suits:

Hino ME05S & MF06S transmissions.

Nissan/UD MRT21A, MRT22A, MTS60A, MTS60G & MTS70B transmissions.

(Refer to the eGuide Configurator on www.hydreco.com for confirmation and details)

Product Features

- **Output Speeds 60 to 74% of Engine Speed (Transmission Dependant)**
For high torque at the output.
- **Wide variety of outputs**
To suit many vehicle configurations.
- **Single gear design**
For simple and smooth operation.
- **Heavy duty tapered roller bearings**
For long life and better support of the idler gear.

POWAUTO

DAVID BROWN
HYDRAULICS

HYDRECO®

HYDRECO
POWAUTO

ADVANCED HYDRAULIC TECHNOLOGIES



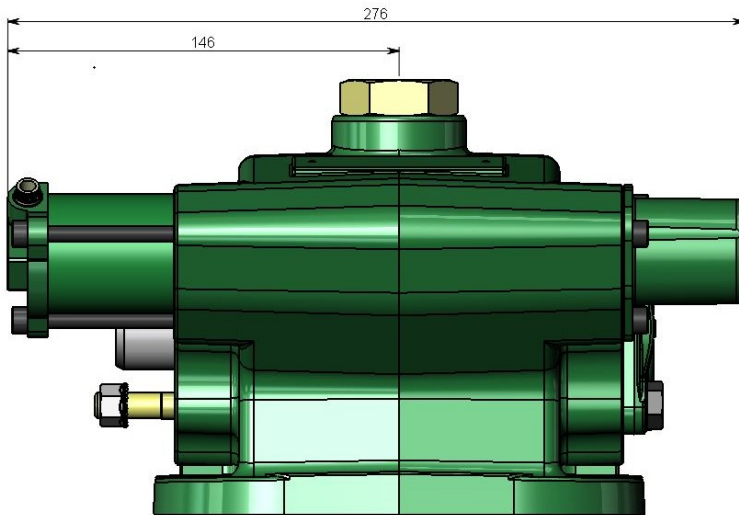
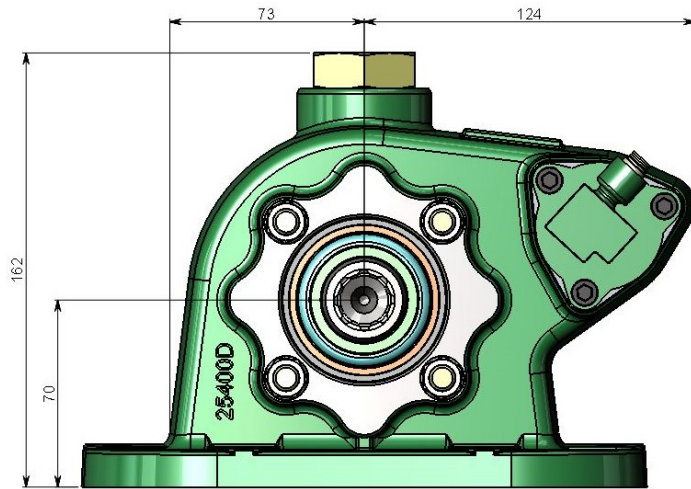
www.hydreco.com

Technical Data Sheet

PTO DESIGNATION CODES

847 Series

PA 847 MSI LII A 08 *



Identifier

PA = PTO Side Mount

PTO Series

847

Gear Type

MSI, MU, SK

Build

L = Left side of transmission

I = Selector to top / Bias to bottom

I = Centre to front

(Position of gear in transmission)

Engagement Type

A = Air

Output Type

08 = 8T Powauto Hydraulic Spline

09 = 14T 12/24 30° Spline + 35 x 60 Flange

10 = 14T 12/24 30° Spline + I310 Flange

11 = 14T 12/24 30° Spline + I410 Flange

13 = 13T SAE B Hydraulic Spline + SAE B Pump Mount

23 = 8T Ø36 DIN 5462 Spline - Female and DIN Mount

41 = 3 Bolt UNI Pump Mount

Other outputs available on request, subject to MOQ.

Manufacturers Code

A = With Pressure Switch

B = With Mounting Kit

C = With Mounting Kit & PTO Control Kit

Technical Specifications				
Ratings & Service Parts		MSI	MU	SK
Torque	Nm / ft.lb	340 / 250	336 / 247	430 / 317
Power @ 500 rpm	kW / hp	17.8 / 23.8	17.5 / 23.5	23.2 / 30.1
Power @ 1000 rpm	kW / hp	35.5 / 47.6	35.0 / 47.0	46.4 / 60.3
Mounting Kit		* See Note	MK1116	MK1109A
Mounting Gasket Kit		GK004	GK016	GK016
Output Shaft Rotation		Opposite to Engine		
Approximate Bare Mass	kg / lb	13.0 / 29.2		
Seal Kit		SK048A		
Bearing Kit		BK048A		

* Mounting kit varies with transmission - refer to eGuide Configurator.

Note: For full details refer to the owners manual or the eGuide configurator found at www.hydreco.com/solutions/on-road

Doc: PA847—04/20

POW AUTO

DAVID BROWN
HYDRAULICS

HYDRECO®

HYDRECO
POW AUTO

ADVANCED HYDRAULIC TECHNOLOGIES



www.hydreco.com