

Technical Data Sheet



T UNI SERIES HYDRAULIC GEAR PUMP

Medium Pressure Gear Pump

The T series gear pump is ideal for applications requiring moderate to high pressure & low flow.

Manufactured from rugged heat treated materials, this product is well suited to all applications such as small cranes, aerial platforms, and small tippers.

Product Features

- **UNI Mounts**
Ideal for the replacement market.
- **Bi-Directional**
No need to stock two models of each size.
- **Low weight**
Ease of maintenance and installation.

POWAUTO

DAVID BROWN
HYDRAULICS

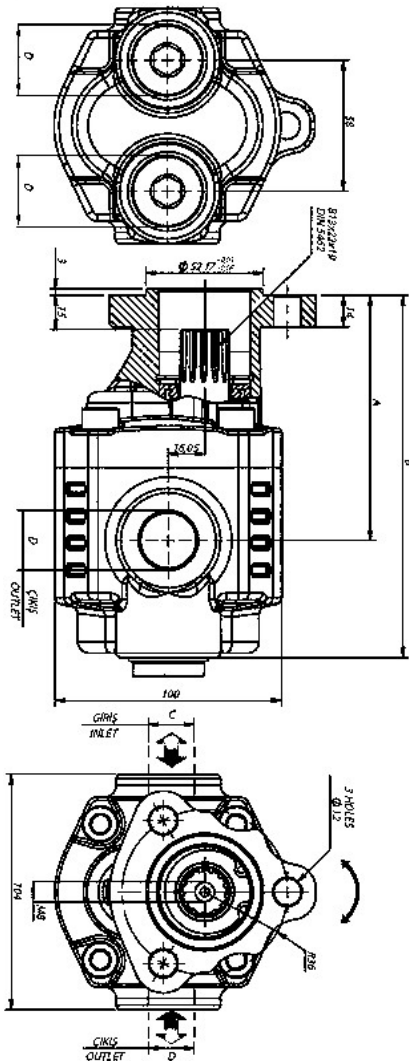
HYDRECO®

HYDRECO
POWAUTO
ADVANCED HYDRAULIC TECHNOLOGIES



www.hydreco.com

Technical Data Sheet



PUMP DESIGNATION CODES

T Series

Identifier

PU = Pump

Pump Series

T

Input Mounting

UNI

Flow @ 1000 RPM

6 = 6.1 L/min

10 = 10.2 L/min

20 = 20.12 L/min

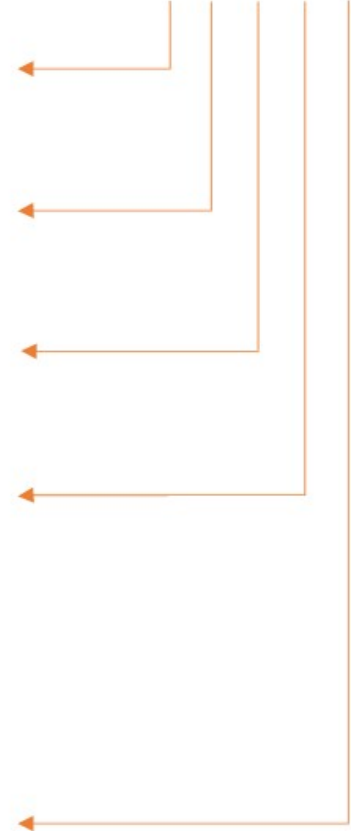
32 = 32.18 L/min

40 = 40.15 L/min

Rotation

BD = Bi Directional

PU T UNI-20 BD



| Technical Specifications | | Pump Size | | | | |
|--------------------------|----------------------|---------------------------------|---------------------------------|---------------------------------|---------------------------------|---------------------------------|
| Pump Ratings | | 6 | 10 | 20 | 32 | 40 |
| Displacement Range | cm ³ /rev | 6.1 | 10.2 | 20.1 | 32.2 | 40.2 |
| Pressure Ratings | bar | 280 | 280 | 260 | 190 | 180 |
| | psi | 4060 | 4060 | 3770 | 2755 | 2610 |
| Operating Speeds | RPM | 3000 | 3000 | 3000 | 2800 | 2800 |
| Pump Port Sizes | Inlet | G ¹ / ₂ " | G ¹ / ₂ " | G ¹ / ₂ " | G ³ / ₄ " | G ³ / ₄ " |
| | Outlet | G ¹ / ₂ " | G ¹ / ₂ " | G ¹ / ₂ " | G ³ / ₄ " | G ³ / ₄ " |
| Bare Mass | kg | 4.0 | 4.5 | 5.3 | 6.0 | 6.5 |
| Length 'A' | mm | 78 | 84 | 100 | 119 | 132 |
| Length 'B' | mm | 130 | 136 | 152 | 171 | 184 |

Doc: PUTUNI—04/20

POWAUTO

DAVID BROWN
HYDRAULICS

HYDRECO®

HYDRECO
POWAUTO

ADVANCED HYDRAULIC TECHNOLOGIES



www.hydreco.com