

Technical Data Sheet



S64 SERIES HYDRAULIC HOIST

Hydraulic Well Mount Hoist Cylinders

The S64 series hydraulic hoist is designed for the most demanding applications for tipper bodies on both trucks and trailers.

From initial engineering to the finished unit, we combine top-grade materials, precise component production and thorough testing to produce a high quality, dependable and economical product.

Suits:

All tipper body applications.

Product Features

- **All Stages Hard Chrome Plated**
To provide maximum durability and long life.
- **Quality Hallite and Kaden Seals Fitted**
Designed for superior reliability.
- **Last Stage Blanked**
No “bleeding” required to reduce time and cost at installation.
- **Increased Overlaps**
Provides greater stability and longer life.
- **Low Closed Heights**
Enables interchangeability with other brands.
- **Larger Diameter Stages**
Provides an increased lifting capacity.
- **Higher Grade Steel Used**
To provide greater durability.
- **Standard Mountings**
Industry standard bolt patterns top and bottom for ease of changing out.



HYDRECO
a member of **DAIKIN** group



www.hydreco.com

Technical Data Sheet

Designation	Stroke	CTC		Pivot Length for 48°	Weight Inc Brkts kg	Swept Volume L
		Height 'A'	Height 'C'			
S64-110-3-3120	3120	1320	1490	3805	119	24
S64-110-3-3500	3500	1444	1614	4268	150	26.5
S64-129-3-2870	2870	1237	1407	3500	134	32
S64-129-3-3150	3150	1320	1490	3841	140	34
S64-129-3-3235	3235	1353	1523	3945	142	35
S64-129-3-3490	3490	1444	1614	4256	150	38
S64-129-4-3260	3260	1087	1257	3978	131	31
S64-129-4-3490	3490	1137	1307	4256	136	32.5
S64-129-4-3790	3790	1220	1390	4622	144	35.5
S64-129-4-4150	4150	1320	1490	5061	152	39
S64-149-3-2720	2720	1182	1332	3313	147	40
S64-149-3-2870	2870	1232	1382	3496	152	42
S64-149-3-3055	3055	1294	1444	3723	158	45
S64-149-3-3226	3226	1351	1501	3932	164	47
S64-149-3-3385	3385	1404	1554	4126	169	49
S64-149-3-3560	3560	1462	1612	4338	175	52
S64-149-3-3745	3745	1524	1674	4565	181	55
S64-149-3-3930	3930	1586	1736	4791	188	57
S64-149-3-4500	4500	1776	1926	5487	206	66
S64-149-4-3060	3060	1047	1197	3734	146	40
S64-149-4-3260	3260	1097	1247	3978	152	42
S64-149-4-3460	3460	1147	1297	4222	157	44
S64-149-4-4220	4220	1337	1487	5146	179	55

Designation	Stroke	CTC		Pivot Length for 48°	Weight Inc Brkts kg	Swept Volume L
		Height 'A'	Height 'C'			
S64-149-4-4580	4580	1427	1577	5585	193	60
S64-149-4-5000	5000	1532	1682	6098	206	64.5
S64-169-4-3954	3954	1280	1430	4824	209	67
S64-169-4-4336	4336	1376	1526	5293	222	73
S64-169-4-4494	4494	1416	1566	5488	227	76
S64-169-4-4700	4700	1466	1616	5732	234	80
S64-169-4-5020	5020	1546	1696	6127	245	85
S64-169-4-5180	5180	1586	1736	6317	250	89
S64-169-4-5640	5640	1701	1851	6878	265	96
S64-169-4-6190	6190	1859	2009	7549	290	106
S64-169-5-5450	5450	1377	1547	6646	241	83.5
S64-169-5-5800	5800	1447	1617	7073	251	88.5
S64-191-4-4950	4950	1546	1756	6037	290	109
S64-191-4-5789	5789	1756	1966	7062	322	127
S64-191-4-6370	6370	1900	2110	7765	347	140
S64-191-4-6825	6825	2014	2224	8321	365	150
S64-191-4-7020	7020	2063	2273	8561	373	155
S64-191-4-7105	7105	2084	2294	8662	376	156
S64-191-5-5870	5870	1489	1659	7159	311	118
S64-191-5-6244	6244	1564	1734	7617	325	123
S64-191-5-6495	6495	1613	1783	7916	334	128
S64-191-5-6833	6833	1681	1851	8330	346	134
S64-191-5-7075	7075	1729	1899	8628	354	140

Allow 20mm extension of the top stage when the body is in the fully lowered position to prevent the body riding on the hoist.

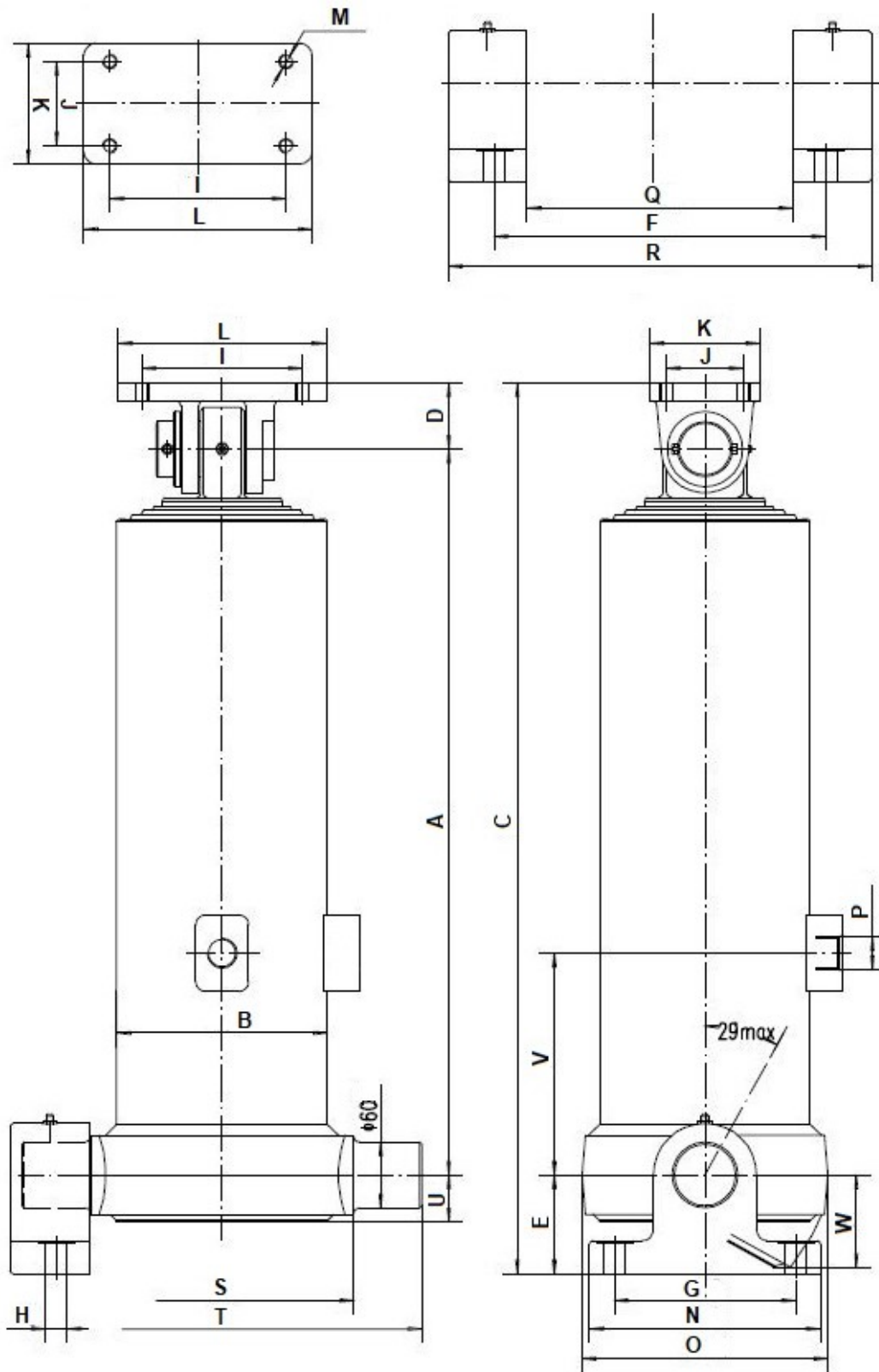
Maximum Pressure = 200Bar

Dimension 'A' and 'C' includes the 20mm pull out.

Series	Dimensions																			Hoist Thrust at 172 Bar				
	'B'	'D'	'E'	Foot		'H'	Top		'K'	'L'	'M'	'N'	'O'	Port				'Q'	'R'		'S'	'T'	'U'	'V'
S64-110	150	60	110	203 x 95	24034B	17	146 x 70	100	189	M12	150	201	2 of 1" BSPP				171	309	163	293	60	190	79	16.7 Tonne
S64-129	150	60	110	241 x 95	24034B	17	146 x 70	100	189	M12	150	201	2 of 1" BSPP				203	341	201	331	60	190	79	22.9 Tonne
S64-149	170	60	90	241 x 95	24034A	17	146 x 70	100	189	M12	152	201	2 of 1" BSPP				203	341	201	325	43	195	79	30.6 Tonne
S64-169	192	60	90	307 x 165	24035G	20	146 x 70	100	189	M12	210	224	2 of 1" BSPP				242	386	240	370	43	202	84	39.3 Tonne
S64-191-4	215	60	150	345 x 165	24035D	20	and 184 x 95	130	222	M16	210	249	2 of 1" BSPP				252	396	250	378	50	195	97	50.2 Tonne
S64-191-5	215	60	110	345 x 165	24035A	20		130	222	M16	210	249	2 of 1" BSPP				252	396	250	378	50	195	97	50.2 Tonne



Technical Data Sheet



HYDRECO
a member of **DAIKIN** group



www.hydreco.com

Technical Data Sheet

HOIST DESIGNATION CODES

Telescopic Cylinders

S64-129-3-3235 A4

Identifier

S64 = Well Mount with Top Plate

1st Moving Stage Size

110
129
149
169
191

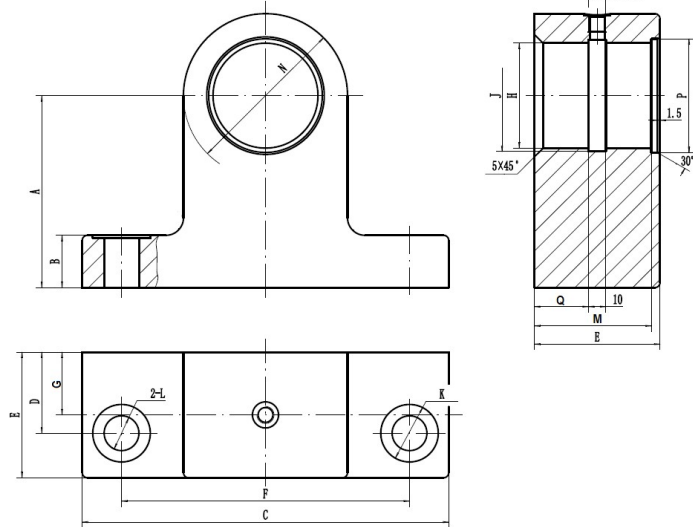
No. of Stages

Stroke, mm

Feet Code

Blank = Standard

See Table



Feet Code	Item #	Dimensions														
		A	B	C	D	E	F	G	H	J	K	L	M	N	P	Q
A4	24034A	90	30	150	19	69	95	34,5	60,2	64		17	64	85	65,18	29,5
B4	24034B	110			19											
D4	24034D	110			38											
A5	24035A	110	30	210	46,5	72	165	36	60,2	64	33	20	67	94	65,18	31
C5	24035C	63			46,5											
D5	24035D	150			46,5											
G5	24035G	90			32,5											
H5	24035H	125			32,5											
K5	24035K	110			51											

Series	Stages	Seal Kit
S64-110	3	SKS65-110-3
S64-129	3	SKS65-129-3
S64-149	3	SKS64-149-3
S64-149	4	SKS64-149-4
S64-169	4	SKS64-169-4
S64-169	5	SKS64-169-5
S64-191	4	SKS64-191-4
S64-191	5	SKS64-191-5

Seal Kits contain all seals, wipers, O-rings, back ups and wear rings.

Doc: S64—01/24



HYDRECO
a member of **DAIKIN** group



www.hydreco.com