

# Technical Data Sheet



## ROUND SIDE OF CHASSIS HYDRAULIC OIL TANKS

Hydreco hydraulic tanks are available in a range of capacities and dimensions to suit the most common applications for today's industry.

Made from either Steel or Aluminium, the round side of chassis hydraulic tank is designed to mount to the side of the truck chassis.

Our tanks come complete ready to bolt on to your truck.

**Note:** Hydreco recommends that a high pressure filter be installed on the discharge side of the hydraulic pump.

## Product Features

### All Tanks Come Complete With:

- **Brackets and Straps**  
Ease of mounting reduces fitting time.
- **Breather**  
Maintains tank pressure at atmospheric and allows oil filling.
- **Sight Glass**  
Allows easy access to check oil level and condition.
- **1 1/4" BSPT Outlet and Return Ports**  
Large port for high flow and low pressure drop.

POWAUTO

DAVID BROWN  
HYDRAULICS

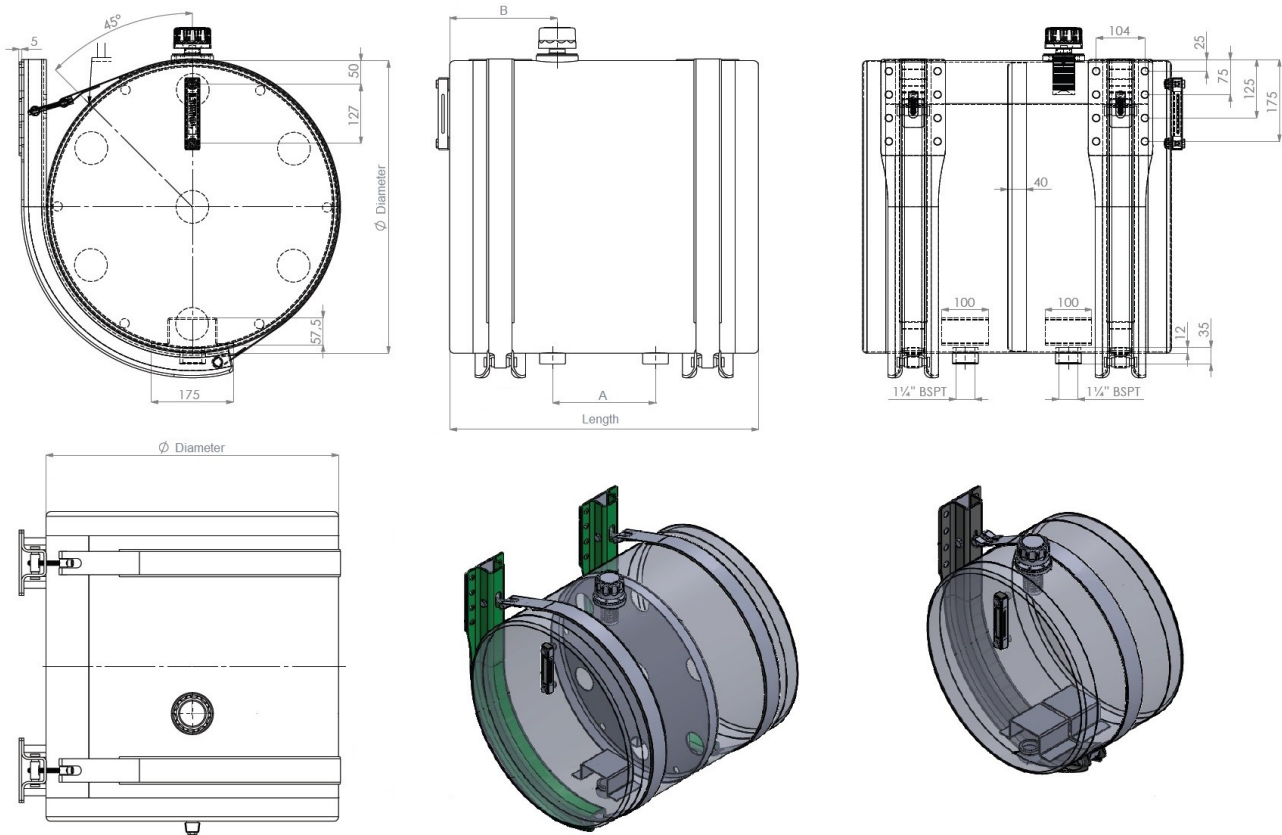
HYDRECO®

**HYDRECO**  
POWAUTO  
ADVANCED HYDRAULIC TECHNOLOGIES



[www.hydreco.com](http://www.hydreco.com)

# Technical Data Sheet



Part Number	Material	Dimensions				Ports		Working Capacity
		Diameter	Length	A	B	Outlet	Return	
TK4050RD60	Steel	400	500	120	250	RI 1/4"	RI 1/4"	60
TK5528RD60 *	Steel	550	285	100	80	RI 1/4"	RI 1/4"	60
TK5535RD80 *	Steel	550	350	170	100	RI 1/4"	RI 1/4"	80
TK5552RD120	Steel	550	525	185	262.5	RI 1/4"	RI 1/4"	120
TK5552RD120AL	Aluminium	550	525	185	262.5	RI 1/4"	RI 1/4"	120
TK5572RD170	Steel	550	720	220	250	RI 1/4"	RI 1/4"	170
TK6266RD200	Steel	625	660	220	230	RI 1/4"	RI 1/4"	200

\* Tank comes with one centrally mounted bracket and strap

**Note:** Hydreco recommends that a high pressure filter be installed on the discharge side of the hydraulic pump.

Doc: TANK RD—01/20

POW AUTO

DAVID BROWN  
HYDRAULICS

HYDRECO®

HYDRECO  
POW AUTO  
ADVANCED HYDRAULIC TECHNOLOGIES



www.hydreco.com