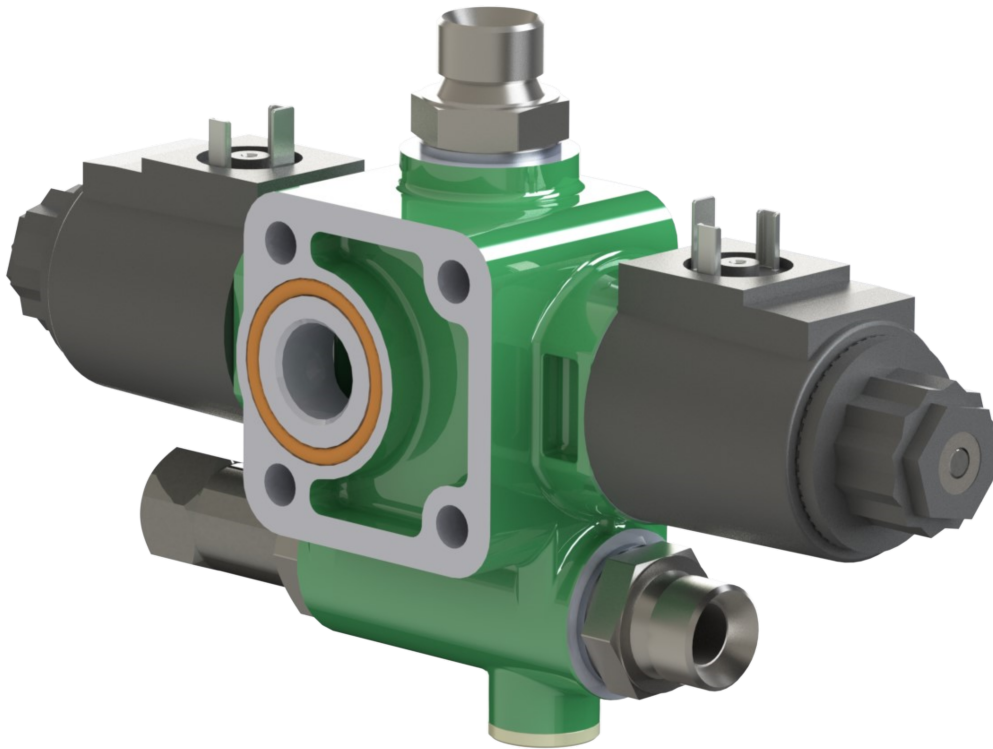


# Technical Data Sheet



## 90 SERIES TIPPING VALVE

Hydreco's VA90 is an electric tipping valve designed for use on vehicles without air systems. The valve units are available in 12V and 24V versions.

All units include an internal check valve and an adjustable relief, the heavy-duty coils are ready to be wired up to an electric tipper control.

The valve is furnished with BSPP ports and can be chassis mounted or it can be mounted directly to a tank with o-ring sealing around the tank port.

## Product Features

- **Built-in Check Valve and Relief Valve**  
Provides a tipping solution for smaller trucks without air available.
- **12 or 24 Volt Options**  
12V for Fuso Canter and 24V for Hino/Isuzu.
- **Chassis or Tank Mounting Options**  
Versatility in installation. Able to be installed in more applications.
- **BSPP Ports**  
Allows for easy mounting and hosing.

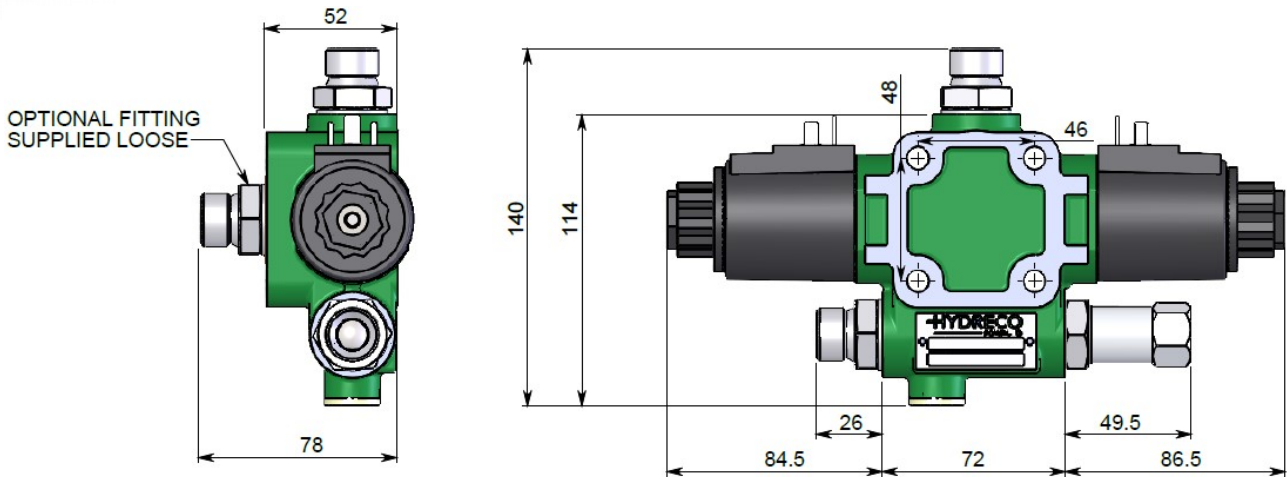


**HYDRECO**  
a member of **DAIKIN** group



[www.hydreco.com](http://www.hydreco.com)

# Technical Data Sheet



## VALVE DESIGNATION CODES

90 series valve

**VA 90 G 0721 G**

### Identifier

VA = Valve

### Valve Series

90

### Engagement Type

F = 12V DC

G = 24V DC

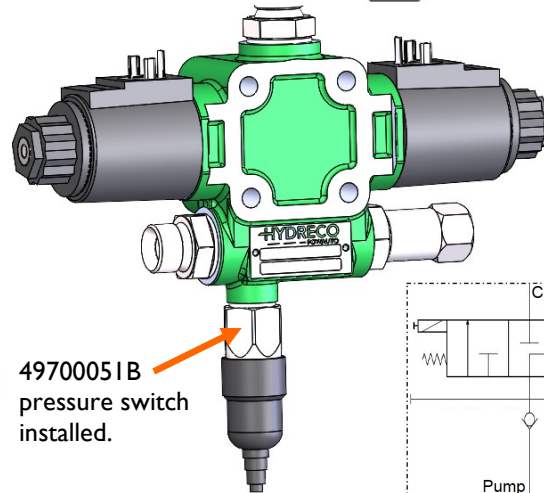
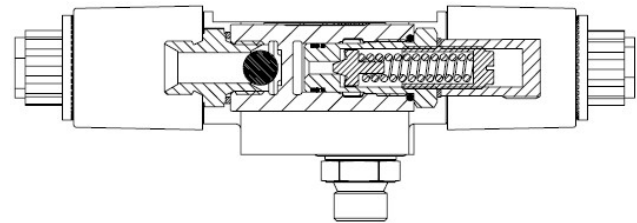
### Relief Pressure Range (Bar)

0721 = 70 - 210 (1000 - 3000psi)

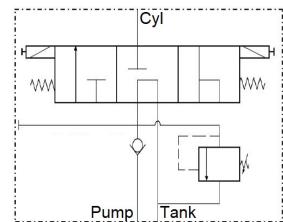
### Ports

G = BSPP

**Note:** The relief valve is not factory set and must be set during installation of the VA90 tipping valve.



49700051B  
pressure switch  
installed.



Technical Specifications	
Maximum Flow	40 L (10.5 US GPM)
Max. Working Pressure	250 Bar (3625 PSI)
Max. Peak Pressure	300 Bar (4350 PSI)
Temperature	-25 to 80 °C
Viscosity Range	12 - 100cSt
Oil Filtering	25µm
Weight	3 kg
Ports	1/2" BSPP

Spare Parts	
12V Coil	37500067A
24V Coil	37500067B
Control Kit - Latching	CK175A
Control Kit - Momentary	CK175B
Option: Pressure Switch	49700051B

Doc: VA90—07/23



**HYDRECO**  
a member of **DAIKIN** group



[www.hydreco.com](http://www.hydreco.com)