

Technical Data Sheet



CK108



CK114



CK94A

CK90



CK113



AIR CONTROL KITS

Pneumatic Controls

Designed for mounting inside the truck cab, the momentary controls are VSB6 Version 3.2 Section J4 compliant for body mounted tippers.

Manufactured to exacting tolerances ensuring consistent, trouble-free operation.

Hydrec Powauto produces a wide variety of controls dependent on your requirements. From hoist only to the most complex truck and trailer assembly.

Configured for discreet fitment – ordering the right control for your truck cab is easy.

Suits:

Truck hoist applications

Truck and trailer applications

Product Features

- **Integral Plastic Body**
Engineering plastics technology for accuracy and repeated cycles of operation.
- **Brackets and Pedestals With CK Kits**
Use with or without, depending on requirements.
- **Light**
Visual check when PTO is engaged and auxiliary function operated.
- **Clear Decals**
Ergonomically designed for ease of use.
- **Cams Made From Kevlar**
Long wearing, consistent operation.
- **Auto Disengage for PTO**
Prevents damage to your transmission due to prolonged engagement.
(Some models only)



HYDRECO
a member of **DAIKIN** group

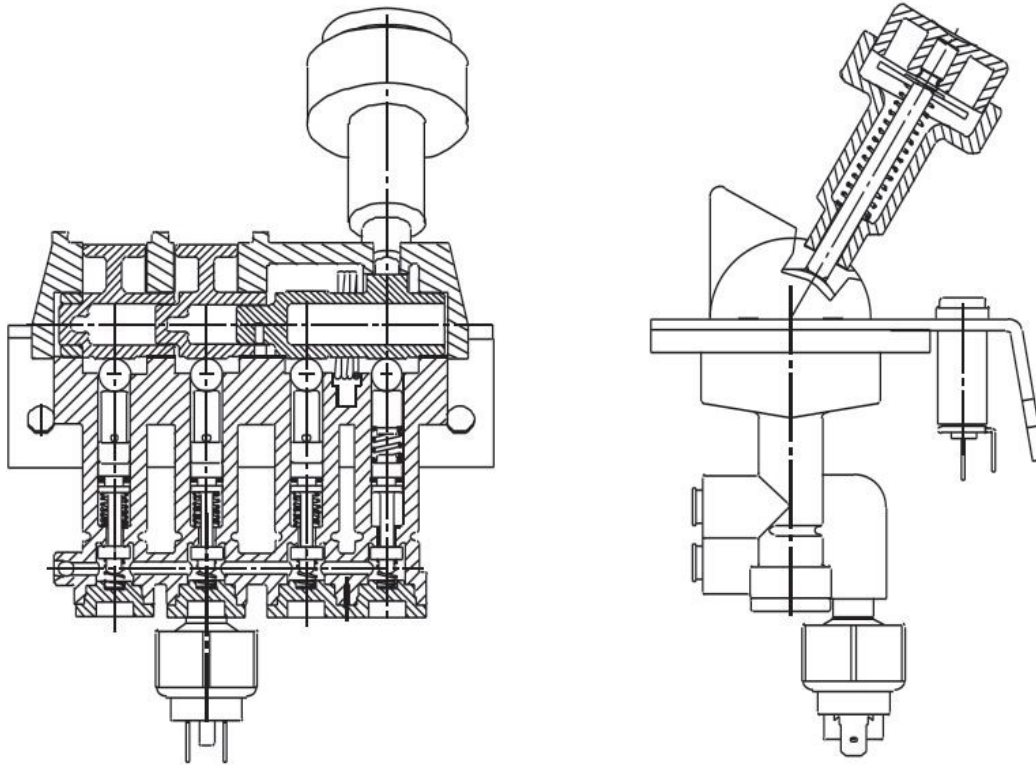


www.hydreco.com

Technical Data Sheet

Typical Assembly (CK113 shown)

For full instructions refer to the installation guide or see your Hydreco Powauto distributor.



Kit Part	Control Only	Functions	Mounting	Hoist Lever Functions			Repair Kit
				Auto Disengage	Raise	Lower	
CK94A	73131A	PTO	Through Dash	---	---	---	---
CK90	73090	PTO - Hoist	Bracket	Yes	Detent	Momentary	SK027
CK90A	73090A	PTO - Hoist	Bracket	Yes	Detent	Detent	SK027
CK90B	73090B	PTO - Hoist	Bracket		Momentary	Momentary	SK027
CK90C	73090C	PTO - Hoist	Bracket		Detent	Detent	SK027
CK90H	73090H	PTO - Hoist	Bracket	Yes	Momentary	Momentary	SK027
CK113	73111A	PTO - Hoist - Auxilliary	Bracket	Yes	Detent	Detent	SK051
CK113A	73111A	PTO - Hoist - Auxilliary	Bracket	Yes	Detent	Detent	SK051
CK113B	73111B	PTO - Hoist - Auxilliary	Bracket		Detent	Detent	SK051
CK113C	73111C	PTO - Hoist - Auxilliary	Bracket		Detent	Detent	SK051
CK113G	73111G	PTO - Hoist - Auxilliary	Bracket		Momentary	Momentary	SK051
CK113H	73111H	PTO - Hoist - Auxilliary	Bracket	Yes	Momentary	Momentary	SK051
CK114	73109A	PTO - Hoist - Auxilliary	Pedestal	Yes	Detent	Detent	SK051
CK114A	73109A	PTO - Hoist - Auxilliary	Pedestal	Yes	Detent	Detent	SK051
CK114B	73109B	PTO - Hoist - Auxilliary	Pedestal		Detent	Detent	SK051
CK114C	73109C	PTO - Hoist - Auxilliary	Pedestal		Detent	Detent	SK051
CK108	73104	PTO - 2xHoist - 3xAuxilliary	Pedestal		Detent	Detent	SK032
CK108A	1x 73110A 1x 73110C	PTO - 2xHoist - 3xAuxilliary	Pedestal	1x	Detent	Detent	SK032
CK108B	73104B	PTO - 2xHoist - 3xAuxilliary	Pedestal		Momentary	Momentary	SK032
CK108E	2x 73110A	PTO - 2xHoist - 3xAuxilliary	Pedestal	2x	Detent	Detent	SK032

Indicates Control is VSB6 Ver3.2 Section J4 compliant for body mounted tippers

Control Only part number includes bracket/mounting plate, decals and light.

Doc: AIR CK—07/23



HYDRECO
a member of **DAIKIN** group



www.hydreco.com