

HPVB-E SERIES

HYDRAULIC PILOT
CONTROL



HYDRAULIC PILOT CONTROL

HPVB/E Pilot Control Valves are well established products within the Hydreco Hydraulics range.

This product, with its individual lever control, supported by an extensive range of characteristics, is suitable for a huge variety of applications.

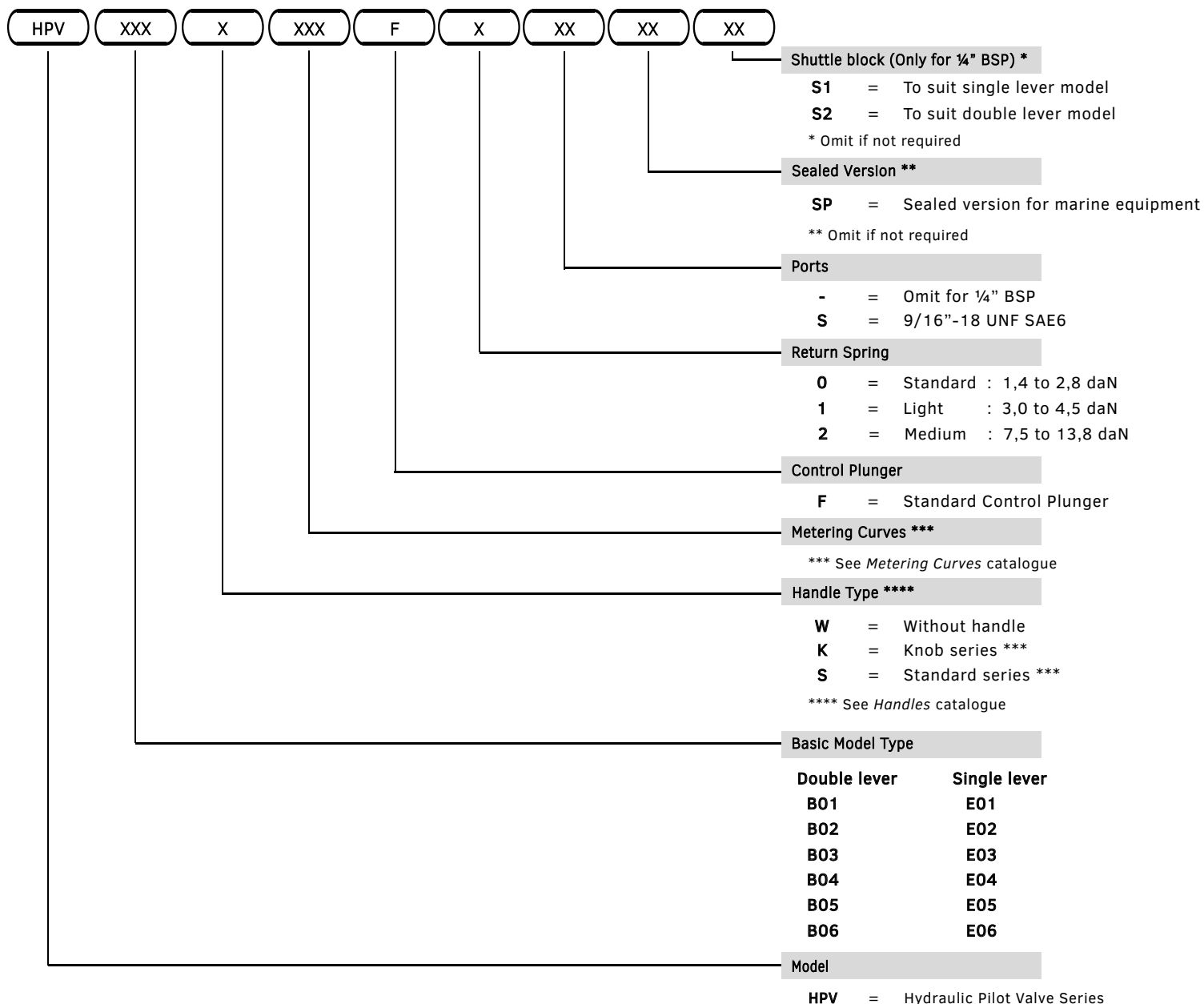
Our engineers can offer specialistic support to optimise this product to suit your application.

BENEFITS

- Compact and lightweight
- All ports on bottom face for easy installation
- Simple to mount
- Compatible with a wide range of product
- Operator is protected from high temperatures components
- Low hysteresis, high accuracy pressure control curves
- Low effort control with spring centered and detented versions available

HPVB/E SERIES - MODEL CODING

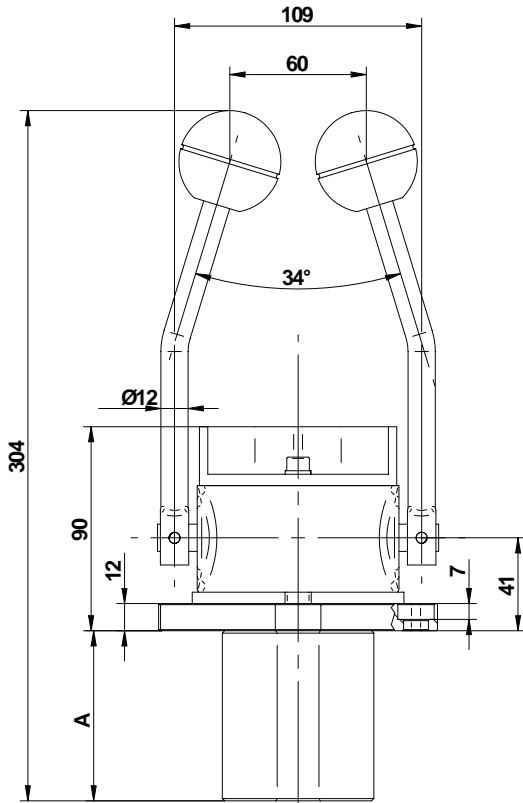
Hydreco Hydraulics reserves the right to update the information and data contained in this catalogue at any time without notice



Example: HYDRAULIC PILOT VALVE, TYPE DOUBLE LEVER 01, HANDLE SPHERICAL KNOB, METERING CURVE n. 049, STANDARD PLUNGER, RETURN SPRING TYPE 0: **HPV-B01-KP-049-F-0**

B1 - PILOT OPERATED CONTROL

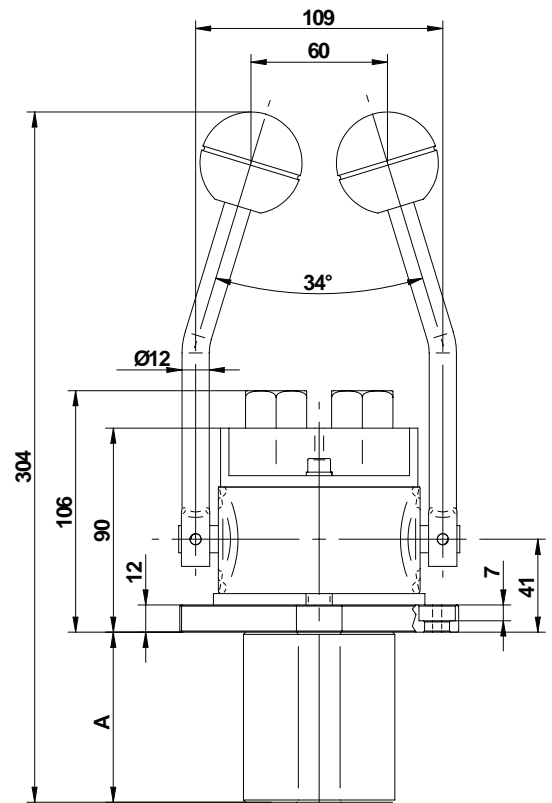
2 side levers with return spring



A=75mm FOR 1/4" BSP PORTS
 A=82 mm FOR 9/16"-18 UNF SAE6 PORTS

B2 - PILOT OPERATED CONTROL

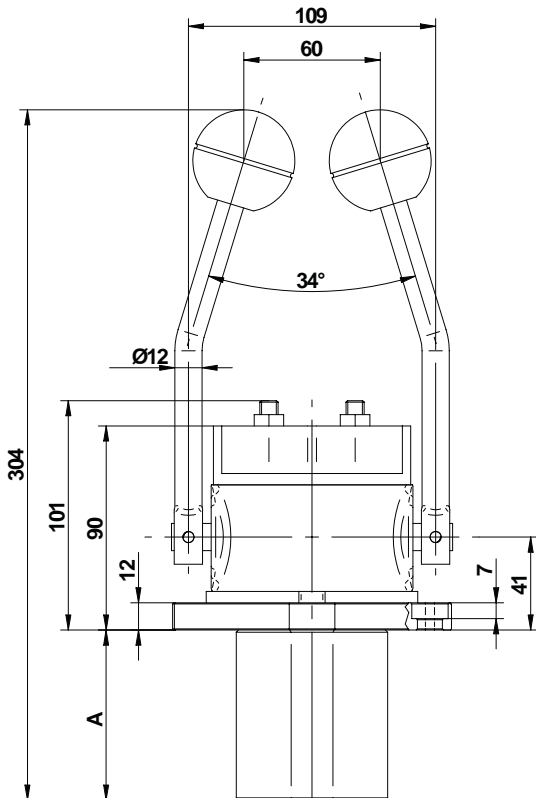
2 side levers with mechanical detent



A=75 mm FOR 1/4" BSP PORTS
 A=82 mm FOR 9/16"-18 UNF SAE6 PORTS

B3 - PILOT OPERATED CONTROL

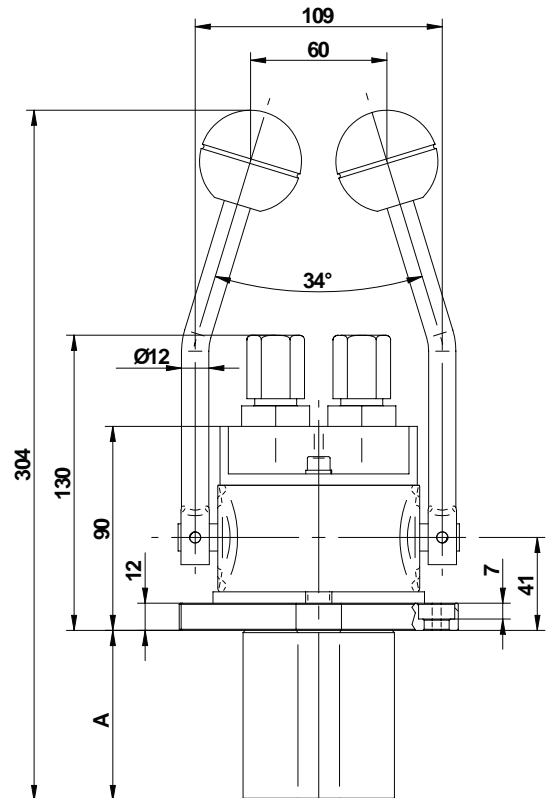
2 side levers with detent in any position



A=75 mm FOR 1/4" BSP PORTS
 A=82 mm FOR 9/16"-18 UNF SAE6 PORTS

B4 - PILOT OPERATED CONTROL

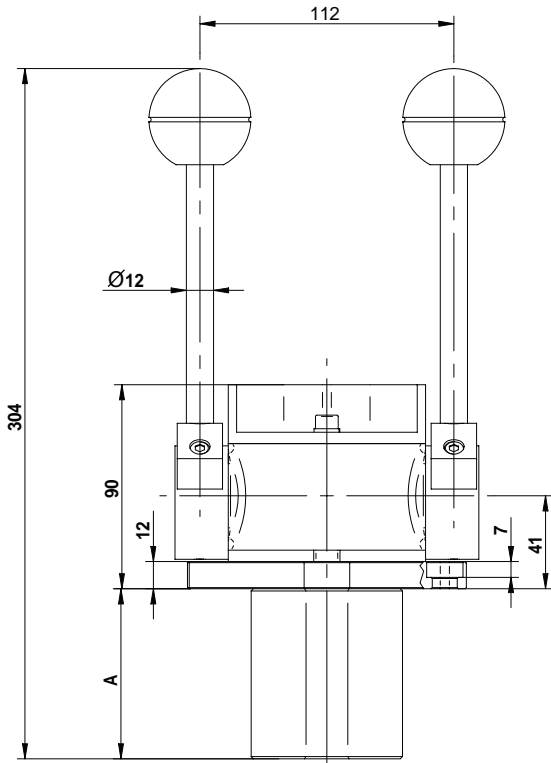
2 side levers with detent in any position + neutral position sensor



A=75 mm FOR 1/4" BSP PORTS
 A=82 mm FOR 9/16"-18 UNF SAE6 PORTS

B5 - PILOT OPERATED CONTROL

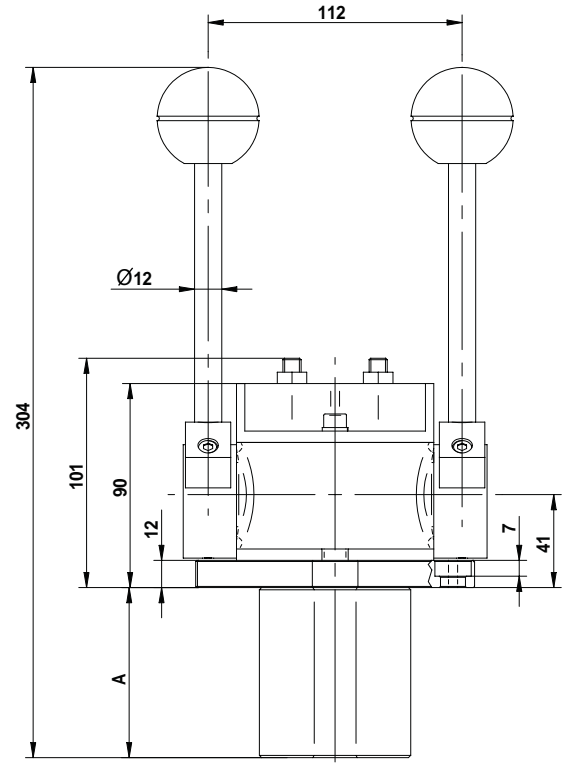
2 side levers with detent in rest



A=75 mm FOR 1/4" BSP PORTS
 A=82 mm FOR 9/16"-18 UNF SAE6 PORTS

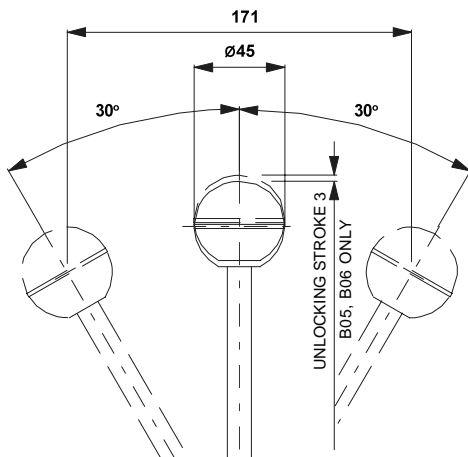
B6 - PILOT OPERATED CONTROL

2 side levers with detent in rest and clutch in any position

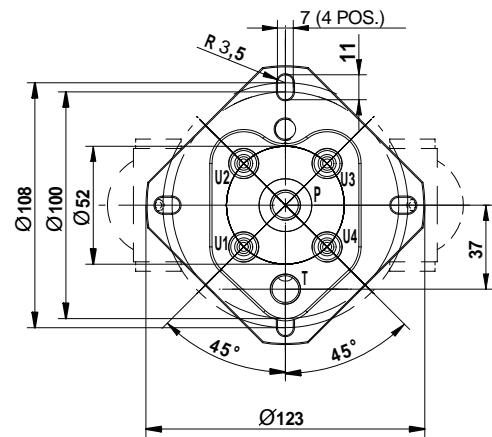


A=75 mm FOR 1/4" BSP PORTS
 A=82 mm FOR 9/16"-18 UNF SAE6 PORTS

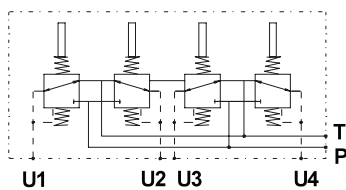
LEVER MOVEMENT



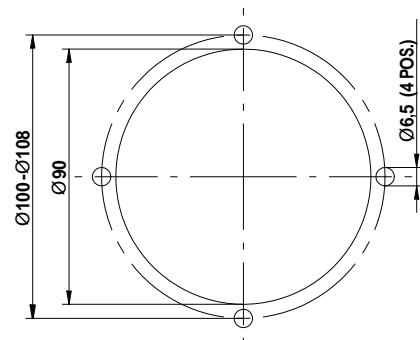
FOOTPRINT



HYDRAULIC CIRCUIT DIAGRAM

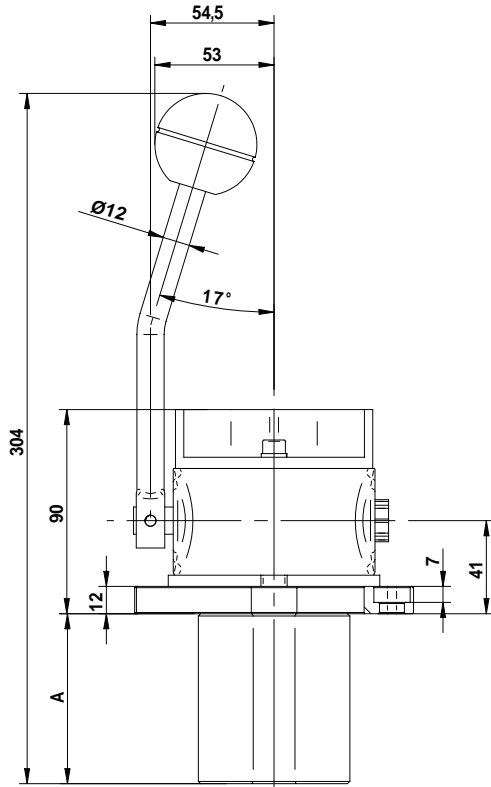


INSTALLATION DRAWING



E1 - PILOT OPERATED CONTROL

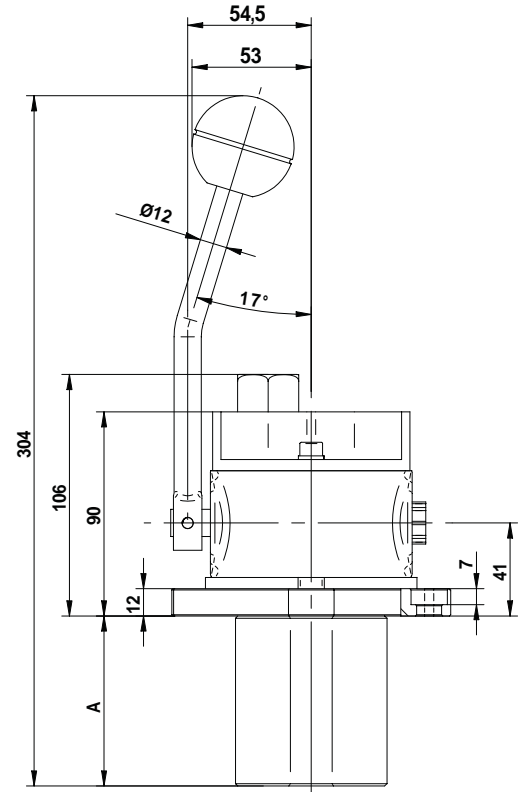
Single side lever with return spring



A=75 mm FOR 1/4" BSP PORTS
 A=82 mm FOR 9/16"-18 UNF SAE6 PORTS

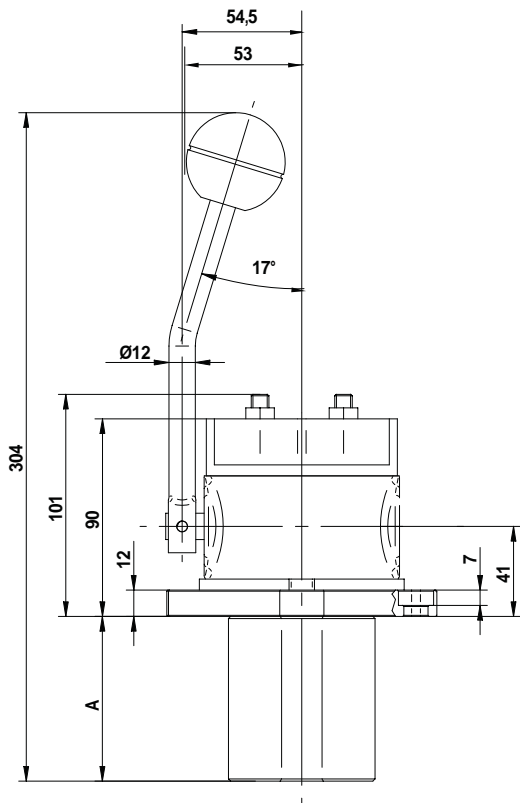
E2 - PILOT OPERATED CONTROL

Single side lever with mechanical detent



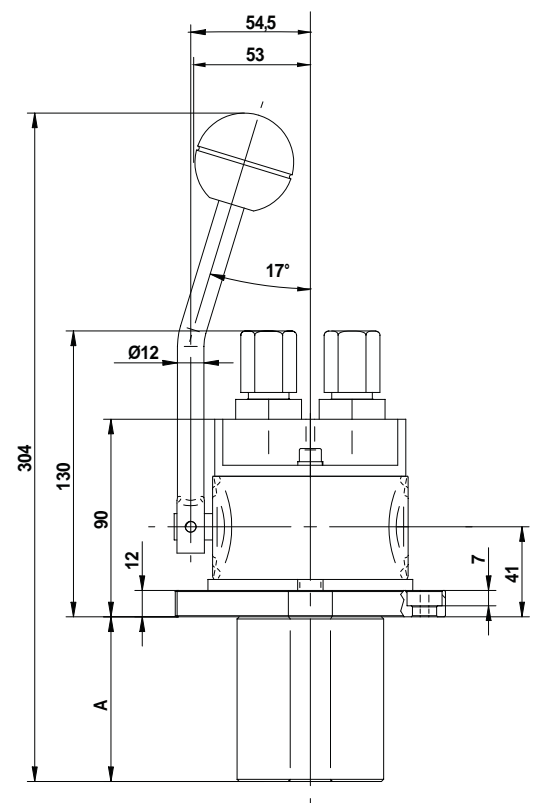
A=75 mm FOR 1/4" BSP PORTS
 A=82 mm FOR 9/16"-18 UNF SAE6 PORTS

E3 - PILOT OPERATED CONTROL



A=75 mm FOR 1/4" BSP PORTS
 A=82 mm FOR 9/16"-18 UNF SAE6 PORTS

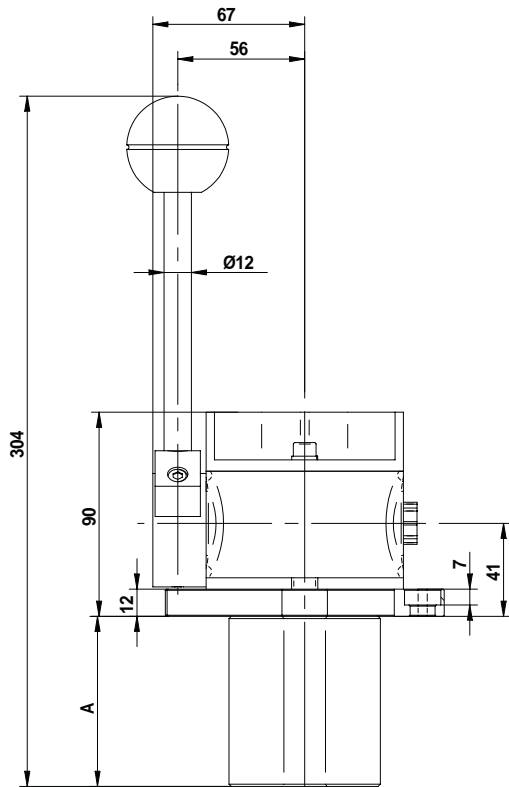
E4 - PILOT OPERATED CONTROL



A=75 mm FOR 1/4" BSP PORTS
 A=82 mm FOR 9/16"-18 UNF SAE6 PORTS

E5 - PILOT OPERATED CONTROL

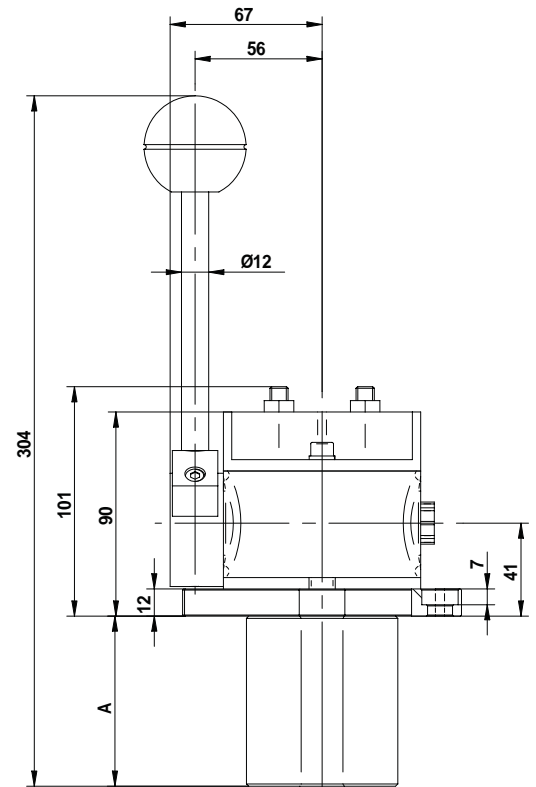
Single side lever with detent in rest



A=75 mm FOR 1/4" BSP PORTS
 A=82 mm FOR 9/16"-18 UNF SAE6 PORTS

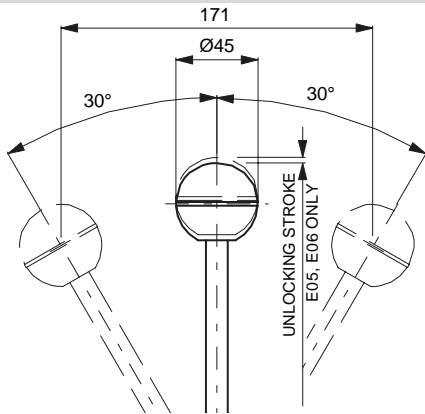
E6 - PILOT OPERATED CONTROL

Single side lever with detent in rest and clutch in any position

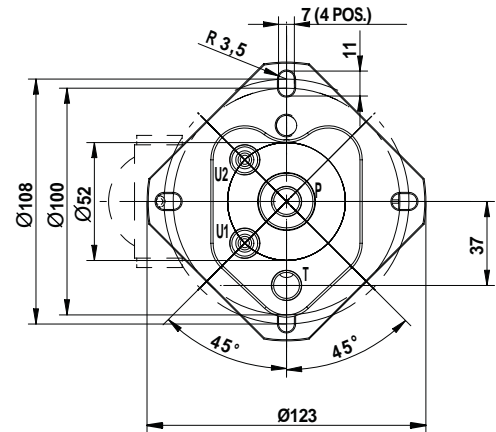


A=75 mm FOR 1/4" BSP PORTS
 A=82 mm FOR 9/16"-18 UNF SAE6 PORTS

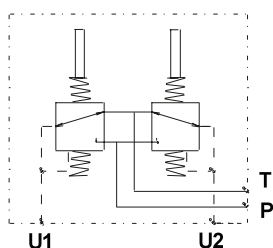
LEVER MOVEMENT



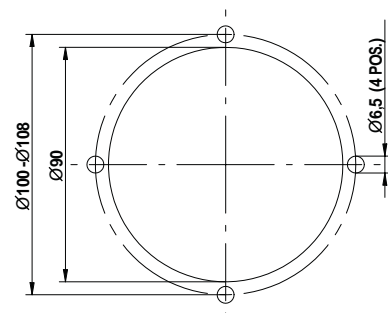
FOOTPRINT



HYDRAULIC CIRCUIT DIAGRAM



INSTALLATION DRAWING



Supported by a worldwide network



CONTACT INFORMATION

EMEA

GERMANY	Hydreco Hydraulics GmbH, Straelen (NRW)	+49 283494303-41	info-de@hydreco.com
ITALY	Hydreco Hydraulics Italia Srl, Vignola (MO)	+39 059 7700411	sales-it@hydreco.com
NORWAY	Hydreco Hydraulics Norway AS, Nittedal	+47 22909410	post-no@hydreco.com
UK	Hydreco Hydraulics Ltd, Poole, Dorset	+44 (0) 1202 627500	info-uk@hydreco.com

AMERICAS

USA	Hydreco Inc, Rock Hill (SC)	+1 704 295 7575	sales-us@hydreco.com
LATIN AMERICA		+1 704 572 6266	sales-es@hydreco.com

APAC

AUSTRALIA	Hydreco Hydraulics Pty Ltd, Seven Hills (NSW)	+61 2 9838 6800	sales-au@hydreco.com
AUSTRALIA	Hydreco Hydraulics Pty Ltd, Smeaton Grange (NSW)	+61 2 4647 6577	au-smeatongrange@hydreco.com
AUSTRALIA	Hydreco Hydraulics Pty Ltd, Welshpool (WA)	+61 8 9377 2211	reception-wa@hydreco.com
INDIA	Hydreco Hydraulics India Private Ltd, Bangalore	+91 80 67656300	sales-in@hydreco.com