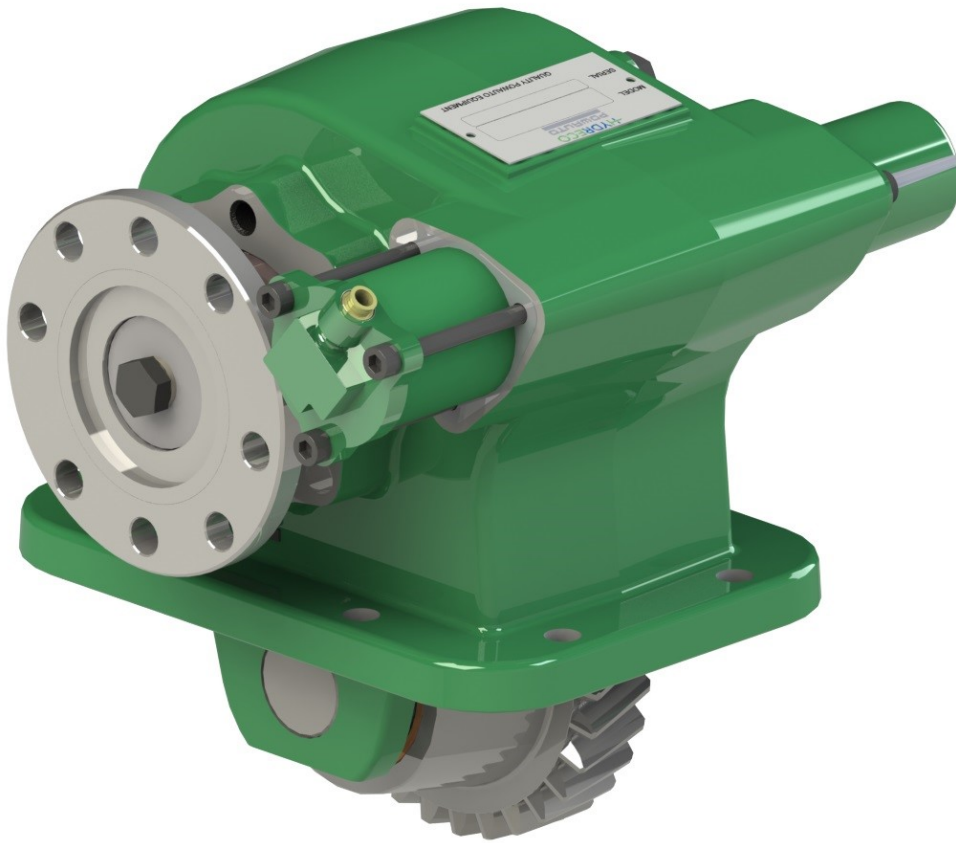


# Technical Data Sheet



## PA381 SERIES POWER TAKE-OFF

### Extra Low Ratio 8 Bolt Deep Reach Side Mounted PTO

The 381 series is designed for Isuzu MLD transmissions with an 8 bolt opening, it has an optimised output ratio for most applications.

This single reduction PTO is supplied with an extra deep reach gear to mesh with the countershaft gear deep inside the transmission.

#### Suits:

Certain Isuzu MLD transmissions.

(Refer to the eGuide Configurator on [www.hydreco.com](http://www.hydreco.com) for confirmation and details)

## Product Features

- **Output Speeds 58 to 87% of Engine Speed (Transmission Dependant)**  
To allow maximum torque for pump operation.
- **Air shift operation**  
For ease of engagement.
- **Variety of outputs**  
To suit a wide variety of pumps.
- **Tapered roller bearings**  
For higher torque capacity.

POWAUTO

DAVID BROWN  
HYDRAULICS

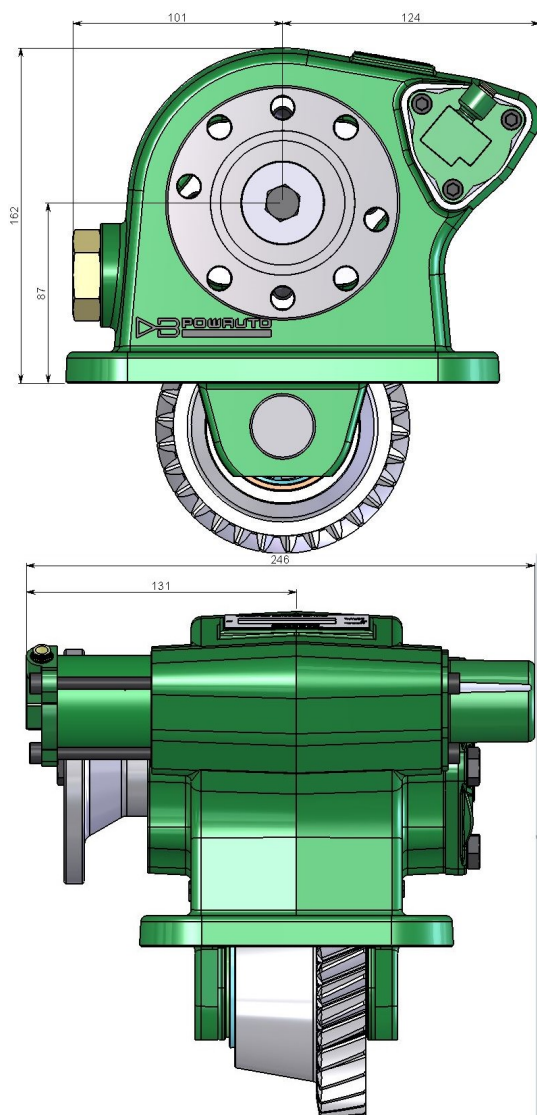
HYDRECO®

HYDRECO  
POWAUTO  
ADVANCED HYDRAULIC TECHNOLOGIES



[www.hydreco.com](http://www.hydreco.com)

# Technical Data Sheet



## PTO DESIGNATION CODES

### 381 Series

PA 381 SE L11 A 08 \*

#### Identifier

PA = PTO Side Mount

#### PTO Series

381

#### Gear Type

SE

#### Build

L = Left side of transmission

I = Selector to top / Bias to bottom

I = Centre to front

(Position of gear in transmission)

#### Engagement Type

A = Air

#### Output Type

08 = 8T Powauto Hydraulic Spline

09 = 14T 12/24 30° Spline + 35 x 60 Flange

10 = 14T 12/24 30° Spline + 1310 Flange

11 = 14T 12/24 30° Spline + 1410 Flange

13 = 13T SAE B Hydraulic Spline + SAE B Pump Mount

23 = 8T Ø36 DIN 5462 Spline - Female and DIN Mount

25 = 9T SAE A Hydraulic Spline + SAE A Pump Mount

26 = 14T 12/24 30° Spline + SAE C 2 & 4 Bolt Mount

36 = 14T 12/24 30° Spline + 50 x 62.5 Flange

Other outputs available on request, subject to MOQ.

#### Manufacturers Code

A = With Pressure Switch

B = With Mounting Kit

Technical Specifications		
Ratings & Service Parts		
Torque	Nm / ft.lb	415 / 306
Power @ 500 rpm	kW / hp	22 / 29
Power @ 1000 rpm	kW / hp	43 / 58
Output Shaft Rotation		Opposite To Engine
Approximate Bare Mass	kg / lb	14.5 / 31.8
Mounting Kit		MK1176A
Mounting Gasket Kit		GK020
Seal Kit		SK076
Bearing Kit		BK076

**Note:** For full details refer to the owners manual or the eGuide configurator found at [www.hydreco.com/solutions/on-road](http://www.hydreco.com/solutions/on-road)

Doc: PA381—04/20

POW AUTO

DAVID BROWN  
HYDRAULICS

HYDRECO®

HYDRECO  
POW AUTO

ADVANCED HYDRAULIC TECHNOLOGIES



[www.hydreco.com](http://www.hydreco.com)