

# Technical Data Sheet



## PA856 SERIES POWER TAKE-OFF

### SAE 8 Bolt Heavy Duty Side Mounted PTO

The 856 series is designed for transmissions with a SAE 8 bolt openings and ancillary equipment obstructions at the PTO/pump area.

This PTO maintains Hydreco Powauto's commitment to achieving the highest possible torque densities, achieving 466Nm torque within a standard PTO.

With a new integral air shift arrangement that provides a stronger more robust design.

#### Suits:

Many Eaton, Fuller, Mack etc transmissions.  
(Refer to the eGuide Configurator on [www.hydreco.com](http://www.hydreco.com) for confirmation and details)

## Product Features

- **Access hole for checking backlash**  
For ease of installation.
- **Hobbed and shaved gears**  
To provide quieter operation.
- **Viton seals and o-rings**  
Greater durability at higher operating temperatures and with synthetic oils.
- **Double o-ring seals on idler shaft**  
Greater leak protection.
- **Integral air shift**  
For problem free engagement over the PTO life.
- **Heavy duty tapered roller bearings**  
For long life and better support of the idler gear.

POW AUTO

DAVID BROWN  
HYDRAULICS

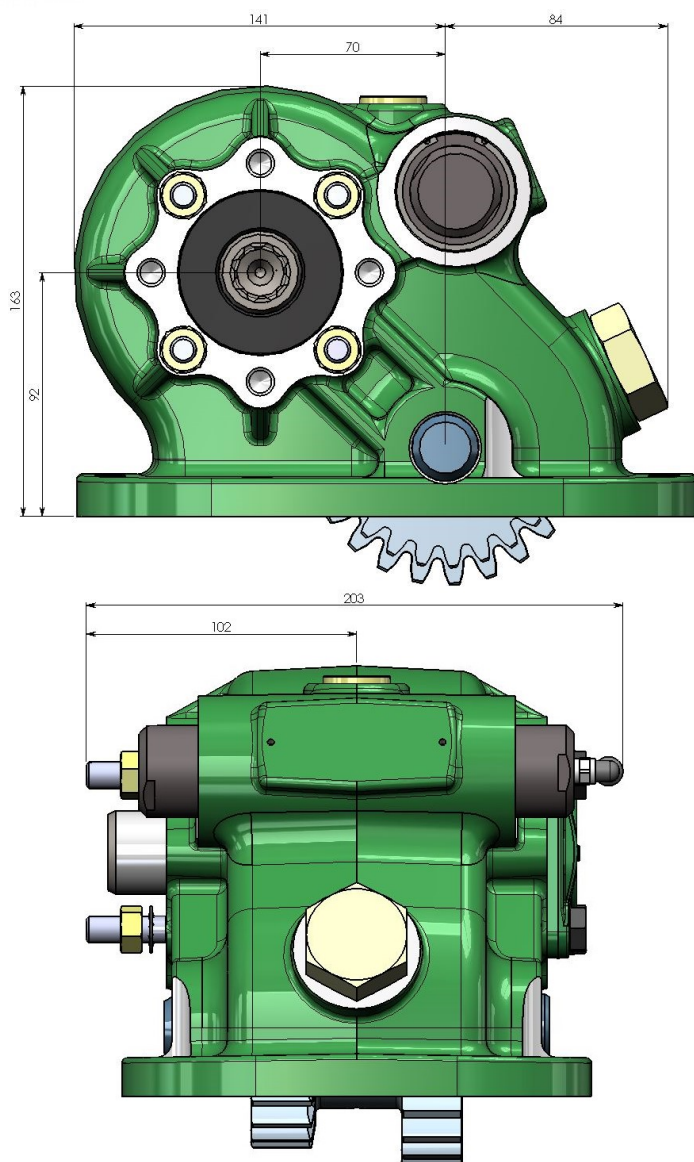
HYDRECO®

HYDRECO  
POW AUTO  
ADVANCED HYDRAULIC TECHNOLOGIES



[www.hydreco.com](http://www.hydreco.com)

# Technical Data Sheet



## PTO DESIGNATION CODES

### 856 Series

PA 856 B L I I A 08 \*

#### Identifier

PA = PTO Side Mount

#### PTO Series

856

#### Gear Type

B, X

#### Build

L = Left side of transmission

1 = Selector to top / Bias to bottom

2 = Selector to bottom / Bias to top

1 = Centre to front

2 = Centre to rear

(Position of gear in transmission)

#### Engagement Type

A = Air

#### Output Type

08 = 8T Powauto Hydraulic Spline

11 = 14T 12/24 30° Spline + 1410 Flange

13 = 13T SAE B Hydraulic Spline + SAE B Pump Mount

23 = 8T Ø36 DIN 5462 Spline - Female and DIN Mount

26 = 14T 12/24 30° Spline + SAE C 2 & 4 Bolt Mount

29 = Dual Output Combination 08/08

Other outputs available on request, subject to MOQ.

#### Manufacturers Code

A = With Pressure Switch

B = With Mounting Kit

C = With Mounting Kit & PTO Control Kit

Technical Specifications		
Ratings & Service Parts		
Torque	Nm / ft.lb	466 / 343
Power @ 500 rpm	kW / hp	24.4 / 32.6
Power @ 1000 rpm	kW / hp	48.7 / 65.3
Output Shaft Rotation		Opposite to Engine
Approximate Bare Mass	kg / lb	17.0 / 37.4
Mounting Kit		* See Note
Mounting Gasket Kit		GK002
Seal Kit		SK073, SK073A - Mech, SK073D - '29'
Bearing Kit		BK073, BK073A - Mech

\* Mounting kit varies with transmission - refer to eGuide Configurator.

**Note:** For full details refer to the owners manual or the eGuide configurator found at [www.hydreco.com/solutions/on-road](http://www.hydreco.com/solutions/on-road)

Doc: PA856—04/20

POW AUTO

DAVID BROWN  
HYDRAULICS

HYDRECO®

HYDRECO  
POW AUTO

ADVANCED HYDRAULIC TECHNOLOGIES



[www.hydreco.com](http://www.hydreco.com)