

Technical Data Sheet



S65 SERIES HYDRAULIC HOIST

Hydraulic Front Outer Cover Hoist Cylinders

The S65 series hydraulic hoist is designed for the most demanding applications for tipper bodies on both trucks and trailers.

From initial engineering to the finished unit, we combine top-grade materials, precise component production and thorough testing to produce a high quality, dependable and economical product.

Suits:

All tipper body applications.

Product Features

- **All Stages Hard Chrome Plated**
To provide maximum durability and long life.
- **Quality Hallite and Kaden Seals Fitted**
Designed for superior reliability.
- **Last Stage Blanked**
No “bleeding” required to reduce time and cost at installation.
- **Increased Overlaps**
Provides greater stability and longer life.
- **Larger Diameter Stages**
Provides an increased lifting capacity.
- **Higher Grade Steel Used**
To provide greater durability.
- **Dual 1”BSPP Ported**
Provides flexibility in installation, to make use of available mounting space.



HYDRECO
a member of **DAIKIN** group



www.hydreco.com

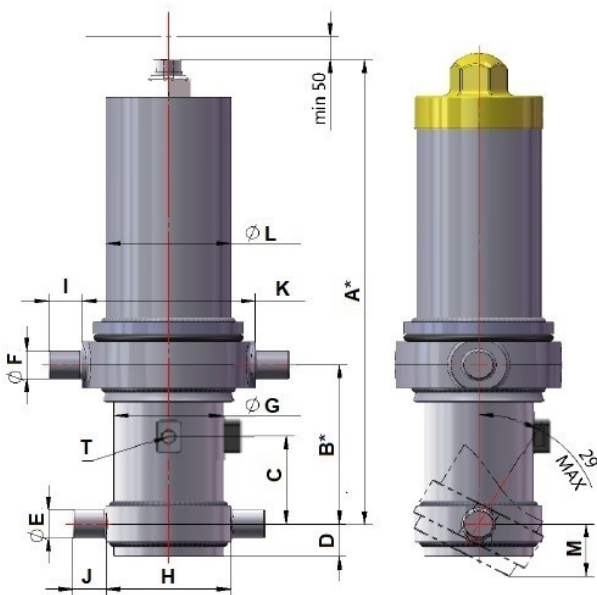
Technical Data Sheet

Designation	Stages	Stroke	Height 'A'	Height 'B'	Pivot Length for 48°	Mass (inc Brkts) kg	Swept Volume L
S65-75-3-3000	3	3000	1225	243	3659	92	10.5
S65-91-3-3000	3	3000	1266	343	3659	122	15
S65-91-3-3375	3	3375	1391	343	4116	132	17
S65-91-3-3675	3	3675	1491	343	4482	139	18.5
S65-110-3-2285	3	2285	1092	343	2787	141	17.5
S65-110-3-3115	3	3115	1369	343	3799	168	23.5
S65-110-3-3415	3	3415	1469	343	4165	178	26
S65-110-4-3805	4	3805	1265	343	4640	173	24
S65-110-4-4145	4	4145	1350	343	5055	182	26
S65-110-4-4750	4	4750	1501	343	5793	198	30.5
S65-129-3-3190	3	3190	1394	343	3890	220	34.5
S65-129-3-3490	3	3490	1494	343	4256	231	37.5
S65-129-3-3830	3	3830	1622	343	4671	246	41

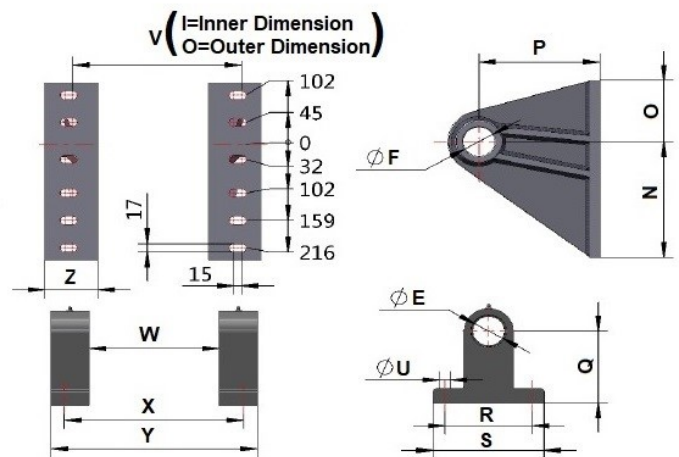
Designation	Stages	Stroke	Height 'A'	Height 'B'	Pivot Length for 48°	Mass (inc Brkts) kg	Swept Volume L
S65-129-4-3450	4	3450	1206	343	4207	219	32
S65-129-4-3805	4	3805	1295	343	4640	221	35.5
S65-129-4-4190	4	4190	1392	343	5110	233	39.5
S65-129-4-4345	4	4345	1435	343	5299	239	40
S65-129-4-4600	4	4600	1494	343	5610	246	43
S65-129-4-4745	4	4745	1535	343	5787	252	44
S65-129-4-5000	4	5000	1594	343	6098	259	46
S65-129-4-5145	4	5145	1635	343	6274	265	47.5
S65-129-4-5400	4	5400	1694	343	6585	274	50.5
S65-149-4-4100	4	4100	1374	343	5000	266	52.5
S65-149-4-4745	4	4745	1535	343	5787	289	61
S65-149-4-5200	4	5200	1649	343	6341	306	67
S65-149-4-5300	4	5300	1674	343	6463	310	68
S65-149-5-5670	5	5670	1482	343	6915	279	63.5
S65-169-4-5170	4	5170	1642	343	6305	314	88
S65-169-4-5670	4	5670	1767	343	6915	334	97

Allow 20mm extension of the top stage when the body is in the fully lowered position to prevent the body riding on the hoist.

Dimension 'A' includes the 20mm pull out.



* incl. 20 [-5; +30] mm pull out.



Series	Dimensions																				Initial Thrust at 172 Bar						
	C'	D'	E'	F'	G'	H'	I'	J'	K'	L'	M'	N'	O'	P'	Top Bracket				Foot			Port					
															Part	Q'	R'	S'	Part	T'	U'	V'	W'	X'	Y'	Z'	
S65-75	90	50	50	50	95	115	50	50	185	133	65	241	89	178	TY-SZZ178-75	80	110	150	24034C	2 of 3/4" BSPP	17	262-O	117	172	227	80	7.75 T
S65-91	190	50	50	60	112	136	65	50	201	168	69	241	89	178	TY-SZZ178-110	80	110	150	24034C	2 of 3/4" BSPP	17	278-O	138	193	248	90	11.4 T
S65-110	190	60	60	60	130	163	65	65	201	168	86	241	89	178	TY-SZZ178-110	110	95	150	24034B	2 of 1" BSPP	17	278-O	165	203	309	90	16.7 T
S65-129	190	60	60	60	151	201	65	65	340	219	91	241	127	229	TY-SZZ229	110	95	150	24034B	2 of 1" BSPP	17	410-O	203	241	347	100	22.9 T
S65-149	190	60	60	60	171	201	65	65	340	219	96	241	127	229	TY-SZZ229	110	95	150	24034B	2 of 1" BSPP	17	410-O	203	241	347	100	30.6 T
S65-169	190	65	60	60	192	245	65	65	340	245	106	241	127	229	TY-SZZ229	150	165	270	24035D	2 of 1" BSPP	20	410-O	247	340	391	100	39.3 T

Please note that the cylinder is a lifting device only and not a structural member.

The cylinder should not be used at overload or side load conditions.

Maximum Pressure = 200Bar



Technical Data Sheet

HOIST DESIGNATION CODES

Telescopic Cylinders

S65-129-3-3490 A4

Identifier

S65 = Outer Cover (Hyva Equiv)

1st Moving Stage Size

75
91
110
129
149
169

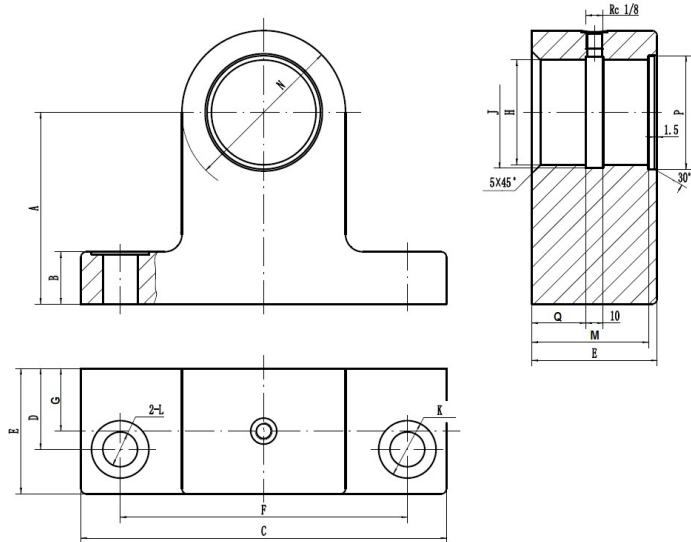
No. of Stages

Stroke, mm

Feet Code

Blank = Standard

See Table



Feet Code	Item #	Dimensions														
		A	B	C	D	E	F	G	H	J	K	L	M	N	P	Q
A4	24034A	90	30	150	19	69	95	34.5	60.2	64		17	64	85	65.18	29.5
B4	24034B	110			19											
D4	24034D	110	30		38	69	95	34.5								
A5	24035A	110	30	210	46.5	72	165	36	60.2	64	33	20	67	94	65.18	31
C5	24035C	63			46.5											
D5	24035D	150			46.5											
G5	24035G	90			32.5											
H5	24035H	125			32.5											
K5	24035K	110			51											

Series	Stages	Seal Kit
S65-75	3	SKS65-75-3
S65-91	3	SKS65-91-3
S65-110	3	SKS65-110-3
S65-110	4	SKS65-110-4
S65-129	3	SKS65-129-3

Series	Stages	Seal Kit
S65-129	4	SKS65-129-4
S65-149	4	SKS64-149-4
S65-149	5	SKS64-149-5
S65-169	4	SKS64-169-4
S65-169	5	SKS64-169-5

Seal Kits contain all seals, wipers, O-rings, back ups and wear rings.

Doc: S65—10/24



HYDRECO
a member of **DAIKIN** group



www.hydreco.com