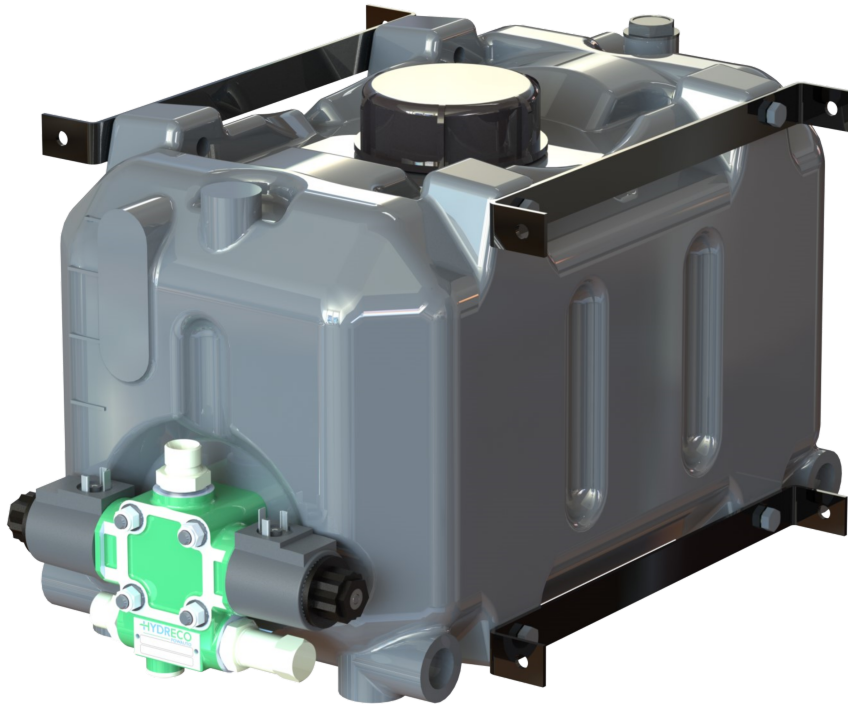


Technical Data Sheet



TKV TANK VALVE ASSEMBLY

Hydreco's Tank Valve units are an electric tipping valve and tank assembly designed for use on vehicles without air systems. The Tank Valve units are available in 12V and 24V versions.

All units include the Electric Tipping Valve with an adjustable relief, the heavy-duty coils are ready to be wired up to an electric tipper control.

Our tanks come complete ready to bolt on to your truck's chassis via multiple mounting points and configurations.

Product Features

- **Electric Tipping Valve with Built-in Check Valve and Relief Valve**
Provides a tipping solution for smaller trucks without air available.
- **12 or 24 Volt Options**
12V for Fuso Canter and 24V for Hino/Isuzu.
- **Chassis Mounted Polymer 25L Tank**
Will never rust. Easy maintenance and cleaning provided by large top access.
- **Multiple Mounting Options**
Allows for best positioning on the trucks chassis.
- **Multiple Port Options (2)**
Allows for flexibility in mounting and hosing.
- **Breather with Dipstick**
Simple, familiar method to check oil level.
- **Large Top Access Cap**
Handy for cleaning and fitting optional components. Easy, fast oil filling.
- **Optional External Sight Glass**
Provides a quick check of oil level.



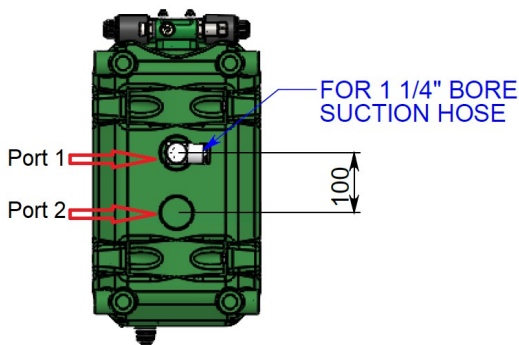
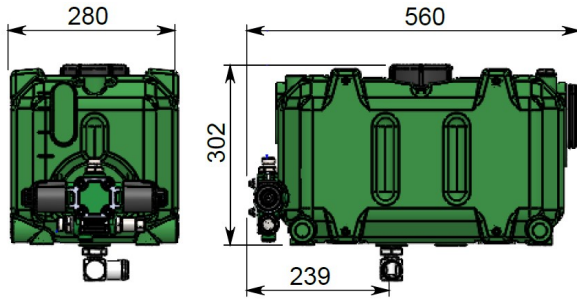
HYDRECO
a member of **DAIKIN** group



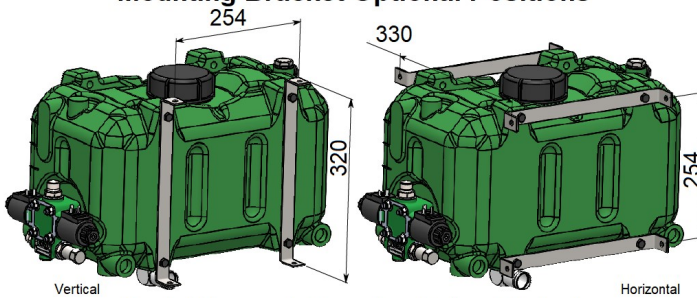
www.hydreco.com

Technical Data Sheet

TKH 25 P 2 G 001



Mounting Bracket Optional Positions



Bracket tabs can also be positioned in toward the tank.

Identifier

TKH = Tank Valve

Tank Capacity

15 = 15L (position of sight gauge)
 20 = 20L
 25 = 25L

Tank Material

P = Polymer

Port Position

1 = Bottom, close to valve
 2 = Bottom, away from valve
 0 = No Outlet Port Drilling

Voltage

0 = No valve
 F = 12V
 G = 24V

Specials

000 = No accessories
 001 = Breather with dipstick only (opposite valve end).
 002 = Breather with dipstick only (valve end).
 003 = Breather and 3" Sight Glass (opposite valve end).
 004 = Breather and 3" Sight Glass (valve end).
 005 = Breather (valve end) and 3" Sight Glass (opposite).
 006 = 3" Sight Glass (valve end) and Breather (opposite).

Technical Specifications	
Maximum Flow	40 L (10.5 US GPM)
Max. Working Pressure	250 Bar (3625 PSI)
Max. Peak Pressure	300 Bar (4350 PSI)
Temperature	-25 to 80 °C
Viscosity Range	12 - 100cSt
Oil Filtering	25µm
Weight	8 kg
Ports	1/2" BSPP

Spare Parts	
12V Valve	VA90F0721G
24V Valve	VA90G0721G
12V Coil	37500067A
24V Coil	37500067B
Control Kit - Latching	CK175A
Control Kit - Momentary	CK175B
Option: Pressure Switch	49700051B

Doc: TKV—05/23



HYDRECO
 a member of **DAIKIN** group



www.hydreco.com