

# Technical Data Sheet



## TOGGLE VALVE AIR CONTROL

### Pneumatic Controls

Designed for discrete fitment via a compact design, these valves are manufactured to exacting tolerances ensuring consistent, trouble-free operation.

Hydrec Powauto produces a wide variety of controls dependent on your requirements. From PTO only to the most complex side tipper system.

With multiple configurations available – ordering the right control for your truck cab is easy.

#### Suits:

PTO activation  
Truck hoist applications  
Truck and trailer applications  
Side Tipper applications

## Product Features

- **Aluminium alloy, stainless steel & brass construction**  
For durability, accuracy and repeated cycles of operation.
- **Through dash/panel mounting**  
Provides easy fitting. Subtle appearance to not “upset” the look of the cab.
- **Robust 9.5mm toggle**  
For a firm feel and secure engagement.
- **2 or 3 position options**  
To suit many different requirements.
- **Detent or momentary options**  
To suit various requirements, regulations and applications.

POW AUTO

DAVID BROWN  
HYDRAULICS

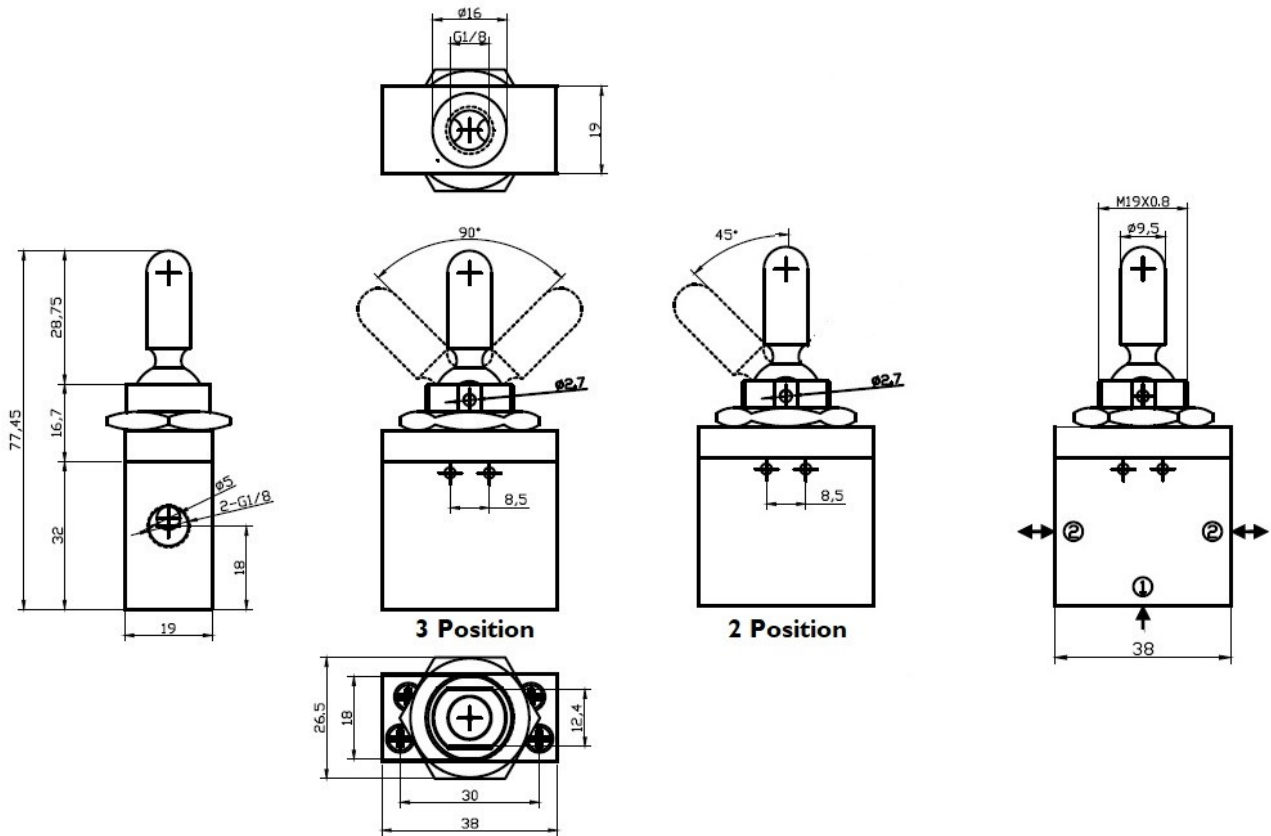
HYDRECO®

HYDRECO  
POW AUTO  
ADVANCED HYDRAULIC TECHNOLOGIES



[www.hydrec.com](http://www.hydrec.com)

# Technical Data Sheet



| Control Only | Functions         | Mounting     | Features                                    |
|--------------|-------------------|--------------|---|
| 73100056A    | Hoist             | Through Dash | Hoist Raise / Hold / Lower - 3 Pos Detent   |
| 73100056B    | Hoist             | Through Dash | Hoist Raise / Hold / Lower - Momentary      |
| 73100056C    | Hoist             | Through Dash | Momentary Hoist Raise / Hold / Detent Lower |
| 73100057A    | PTO or Auxilliary | Through Dash | PTO Engage / Disengage - 2 Pos Detent       |
| 73100057B    | PTO or Auxilliary | Through Dash | PTO Engage / Disengage - Momentary          |

**Spares:** No user serviceable parts available. Refer to Hydreco or you dealer for replacement.

Doc: TV—05/20

POWAUTO

DAVID BROWN  
HYDRAULICS

HYDRECO®

HYDRECO  
POWAUTO  
ADVANCED HYDRAULIC TECHNOLOGIES



www.hydreco.com