

# Technical Data Sheet



## I05 SERIES TIPPING VALVE

### Single Spool Tipping Valves

The I05 Valve has been designed in response to the changing needs of the modern truck market.

These valves provide another option for truck or trailer tipping applications where compact size is required in conjunction with high flow rates.

Used in conjunction with a proportional air control (e.g. CK90A) the valve controls the rate of lowering.

#### Suits:

Truck or trailer tipping applications.

#### Options:

Service port pressure switches.

Two Speed Lowering via electropneumatic control.

Dual Pressure Relief Valve

## Product Features

- **Hard Chrome Metering Spools**  
Combine with the load hold check valve to provide load independent, proportional control.
- **Monoblock Construction**  
For maximum strength and integrity, allowing for repeatability and long life.
- **Air Operated**  
For ease of engagement remotely via pneumatic or electro pneumatic control.
- **Optional Pressure Switch**  
For use as a body up alarm etc.
- **Extra Large Galleries and Spools**  
To allow for larger flow capacities with extremely low pressure drops.
- **High Flow Rates**  
Lowest pressure drop compared to competitors at high flows. Allows for more cycles per day.

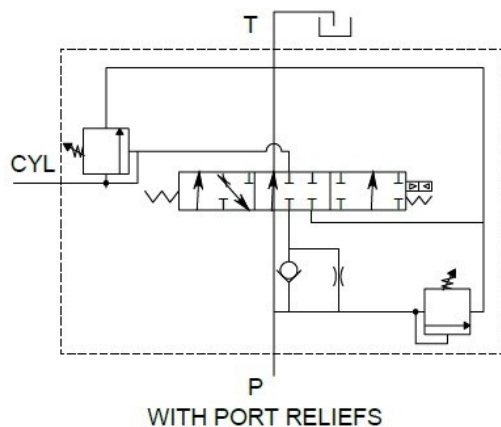
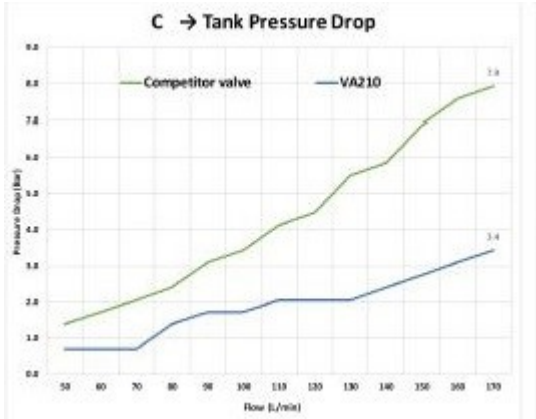


**HYDRECO**  
a member of **DAIKIN** group



[www.hydreco.com](http://www.hydreco.com)

# Technical Data Sheet



## VALVE DESIGNATION CODES

I05 series valve

VA I05 A I22I C

### Identifier

VA = Valve

### Valve Series

I05

### Engagement Type

A = Air

### Relief Pressure Range (Bar)

I22I = 120 - 210 (1700 - 3000psi)

I234 = 120 - 345 (1700 - 5000psi)

### Features

A = Std + Service Port Switch

B = Std (Metering Spool Only)

C = Std + Service Port Switch + Two Speed Lower

D = Std + Two Speed Lower

E = Std + Port Relief

F = Std + Port Relief + Two Speed Lower

G = Std + Two Pressure Relief Valve

H = Std + Service Port Switch + Two Pressure Relief Valve

Technical Specifications		VAI05A1234B
Number of Spools		1
Action		Single Acting
Maximum Pressure	Bar / psi	345 / 5000
Pressure Drop @ 170LPM C-T	Bar / psi	3.4 / 49.3
Base Valve Mass	kg	7
Port Sizes - PUMP & CYL		1" BSPP
Port Size - TANK		1 1/4" BSPP
Dual PRV Adjusting Tool	38/30 AF	90000288
Dual PRV Adjusting Tool	41/32 AF	90000289
Pressure Switch (Optional)		49700051B

Spare Parts		Item Number
Seal Kit (does not include 43000112G piston)		SK120A
Seal Kit (includes 43000112G piston)		SK120C
Air Shift Repair Kit -All Seals		RK009A
Air Shift Repair Kit -Piston, Piston Rod & Nut		RK009C
Spring Retainer Spacer - Outer		28000600
Spring Retainer Spacer - Inner		28000601
Valve Centering Spring		35000205
Piston Rod		37000092
Spool Retainer Screw		48000773
Air Shift Cylinder Barrel		49000142

Note: Hydreco recommends the use of filtration in all hydraulic circuits to a maximum of 25µm.

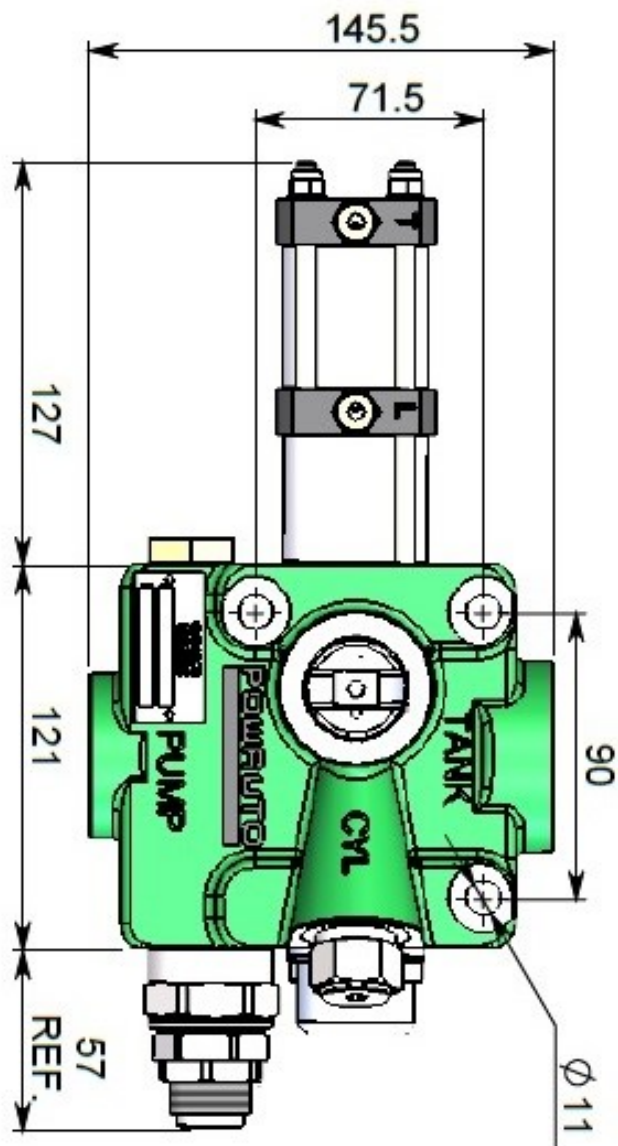
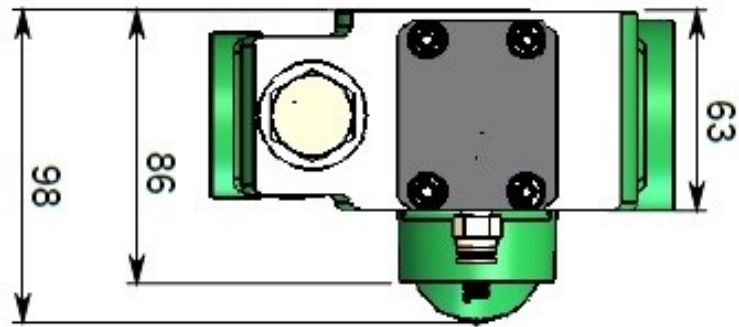


**HYDRECO**  
a member of **DAIKIN** group



[www.hydreco.com](http://www.hydreco.com)

# Technical Data Sheet



**HYDRECO**  
a member of **DAIKIN** group



[www.hydreco.com](http://www.hydreco.com)

# Technical Data Sheet

Doc: VA105—08/24



**HYDRECO**  
a member of **DAIKIN** group



[www.hydreco.com](http://www.hydreco.com)